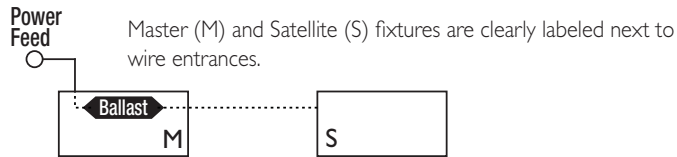


# Recessed Shine (33), Pique (91), PureFX (94), Vectra (97) and Voice (98)

Standalone with Master/Satellite Installation Instructions

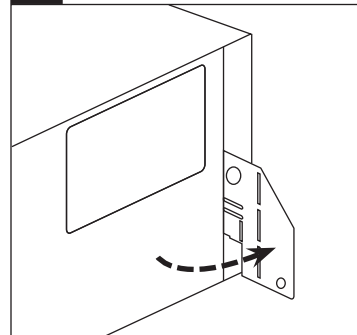


With master/satellite, a multi-lamp ballast in every other fixture reduces the total number of ballasts required. Each satellite fixture is connected by a flex connector (supplied by Ledalite) to a master fixture. All master fixtures receive a direct power feed.

## ! DRYWALL & AIR RETURN

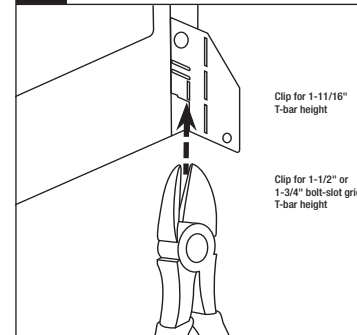
If installing in DRYWALL or if fixture includes AIR RETURN, some steps on this instruction sheet may not be applicable. Refer to separate drywall and air return instruction sheets.

### 1 Bend mounting tab



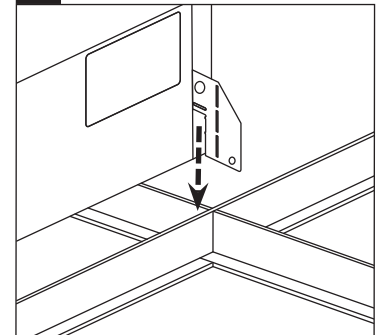
Bend out mounting tab 90 degrees on each corner.

### 2 Adjust height of tab



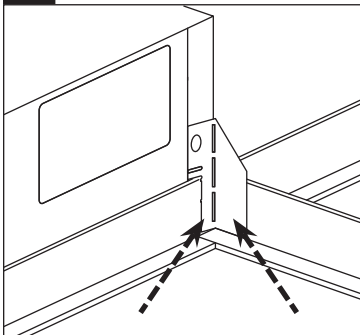
Use side cutters to adjust each tab to height of T-grid.

### 3 Lay fixture into T-grid



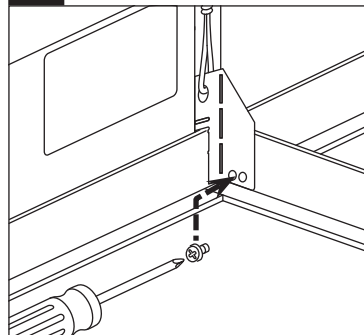
Lay fixture into T-grid.

### 4 Bend tabs flush



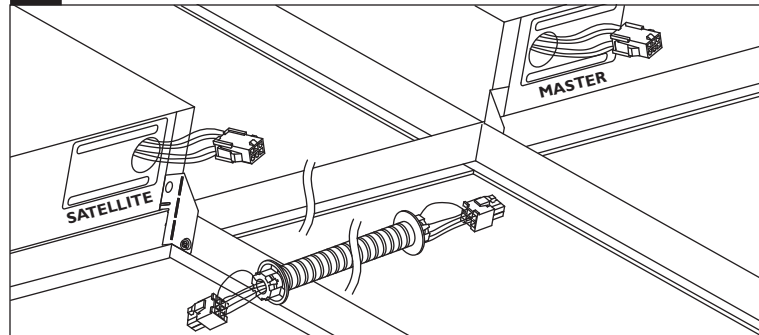
Bend tabs flush against T-grid in order to clear corner for ceiling tile.

### 5 Fasten fixture to T-grid



Use a #8x1/4" sheet metal screw to fasten fixture to T-grid and use a hanger wire to tie off appropriately in accordance with local building codes (screws and hanger wires supplied by others).

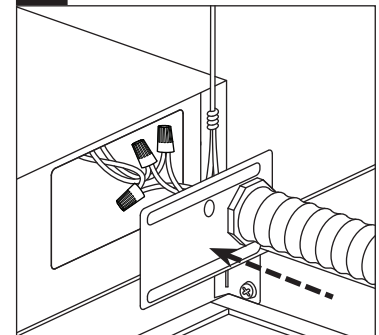
### 6 Attach flex connectors



Attach master and satellite fixtures to the T-grid following steps 1-5. Attach one end of the flex connector to the master fixture. Feed the cable into the fixture, push snap-in fitting into cover plate, and attach to the wire entrance cover. Repeat for the satellite fixture.

Note: use only the Ledalite supplied flex connector.

### 7 Electrical connections



Make all electrical connections to each master fixture and attach the wiring access cover plate.

**! ATTENTION: Install in accordance with national and local building and electrical codes.**

ID-Recessed\_SMS.pdf

Page 1