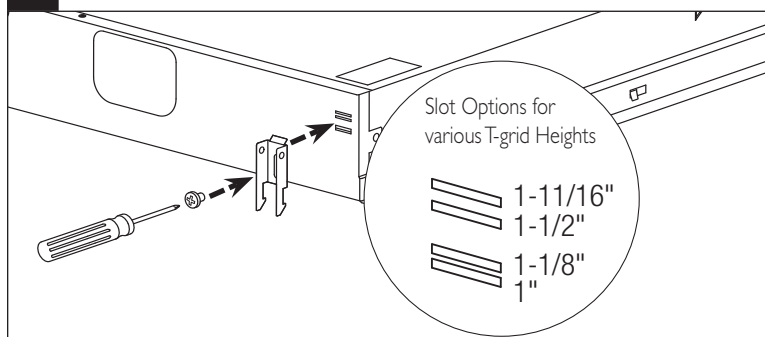


Air return vents

The air return version features slotted vents along the sides of the fixture. As a result, the installation method of the air return version is different to the standard version, and the fixture cannot be installed in continuous rows.

### 1 Insert T-grid clip

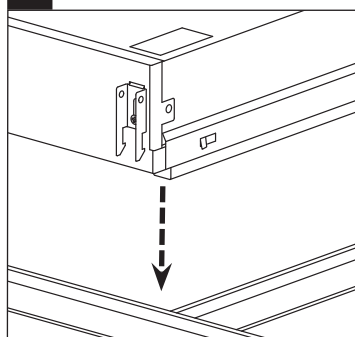


Slot Options for various T-grid Heights

- 1-11/16"
- 1-1/2"
- 1-1/8"
- 1"

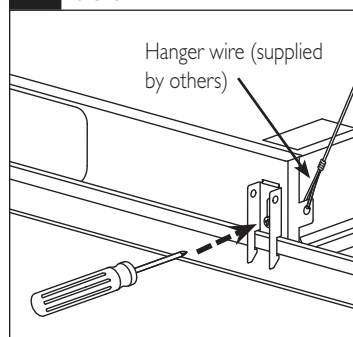
Insert T-grid clip (supplied) into correct slot to accommodate T-grid height. Hold in place with screw (supplied), but do not fully tighten screw until Step 3. Repeat at each corner of the fixture.

### 2 Lay fixture into T-grid



Lay fixture into T-grid.

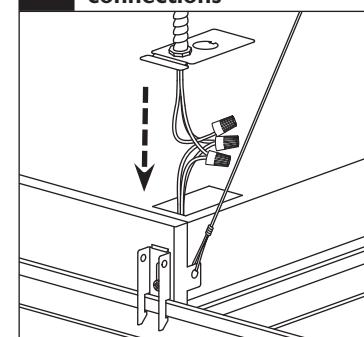
### 3 Tighten screws and tie off



Hanger wire (supplied by others)

Tighten screws at each corner. Use hanger wire (supplied by others) to tie off appropriately in accordance with local building codes.

### 4 Make all electrical connections



Make all electrical connections to the fixture.  
Note: Standalone with master/satellite configuration requires additional steps for wiring. Please refer to separate instruction sheet.