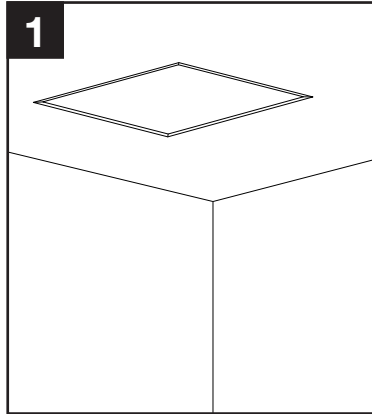
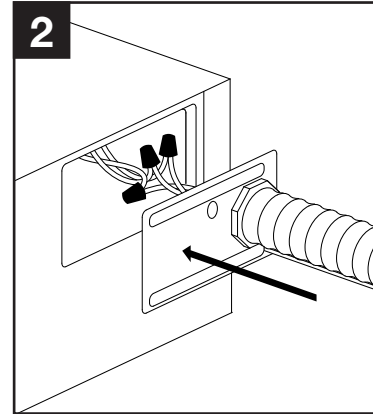


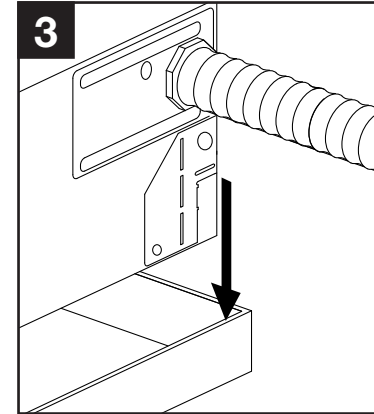
If you are installing any configuration type other than standalone, additional steps are required for wiring. Please refer to the installation instructions for that configuration type to determine wiring requirements.



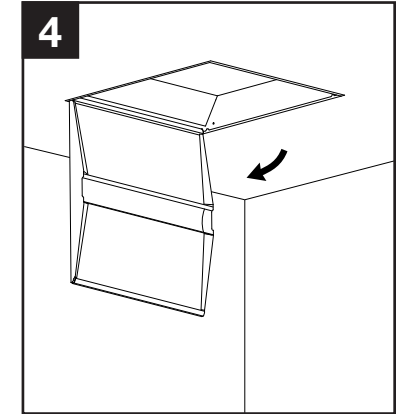
1  
Install drywall kit frame in ceiling. Refer to Drywall Kit specification sheet for mounting options and ceiling opening sizes.



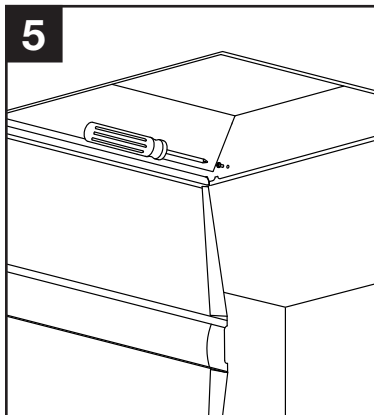
2  
Make all electrical connections to the fixture.



3  
Lay fixture into drywall kit frame.



4  
Push up on center channel of lens frame and shift in direction of hinges. Lens frame will then swing open in a downward direction. If fixture has lens frame restraint, release by pressing inwards.



5  
Use a #8 x 1/4" sheet metal screw (supplied by others) to fasten fixture to drywall kit frame from inside of housing. Repeat on each corner.