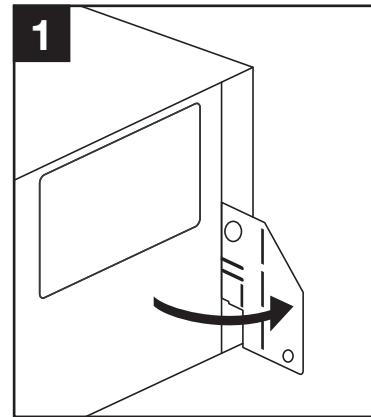


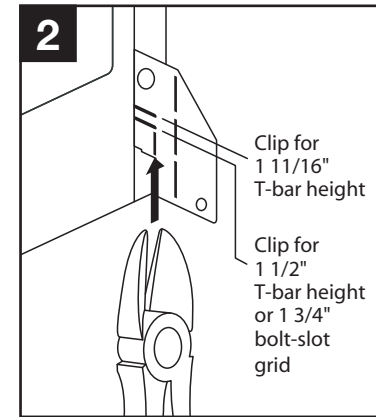
Fixtures are joined together in a continuous row and serviced by one power feed. Thru wiring is provided, with quick-wire connectors and knock-outs at fixture ends. Every fixture contains its own ballast.



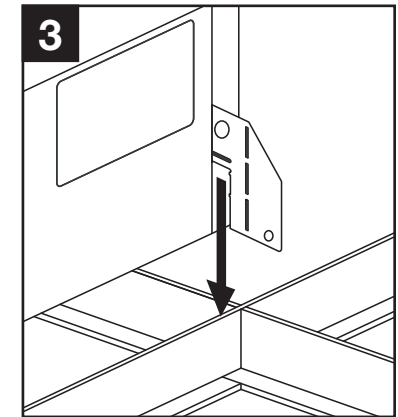
If installing in DRYWALL or if fixture includes AIR RETURN, some steps on this instruction sheet may not be applicable. Refer to separate drywall and air return instruction sheets.



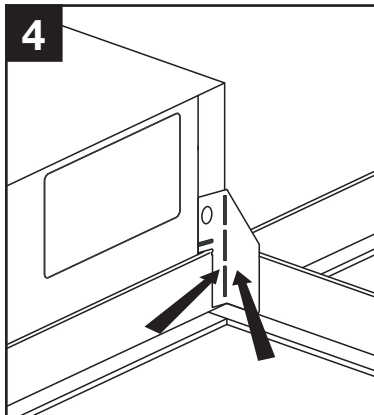
Bend out mounting tab 90 degrees on each corner.



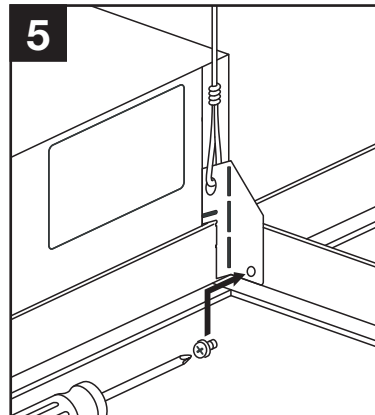
Use side cutters to adjust each tab to height of T-bar.



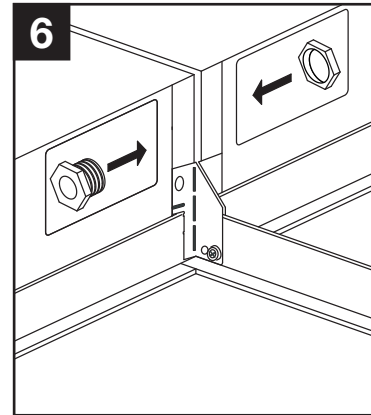
Lay fixture into T-bar grid.



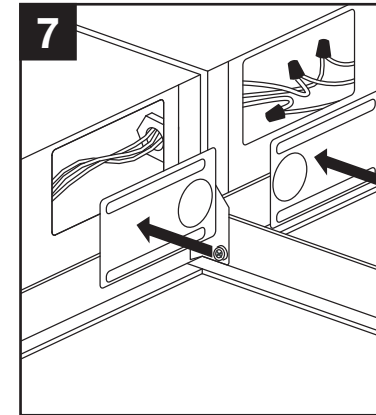
Bend tabs flush against T-bar in order to clear corner for ceiling tile.



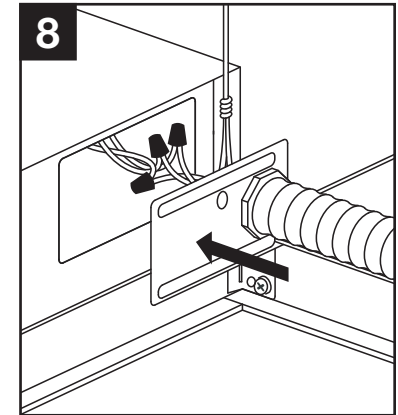
Use a #8 x 1/4" sheet metal screw to fasten fixture to T-bar grid and use a hanger wire to tie off to structure according to code (screws and hanger wires supplied by others.)



Remove connecting knock-outs and attach adjacent fixtures to the T-bar grid following steps 1-5. Place a 1/2" nipple through the knock-out hole between the fixtures. Fasten with a 1/2" NPT lock nut. (Nipple and lock nut supplied by others.)



Feed the wires through the nipple and make all electrical connections between the fixtures following the correct wiring color code.



Ensure that the wiring in the last fixture in the row is properly terminated. Then make all electrical connections to the first fixture in the row.

**! ATTENTION: Install in accordance with national and local building and electrical codes.**

Part # 5006671

Page 1