

System Overview

These instructions review how to install Vectra surface mount fixtures.

Note: For surface mounted conduit and junction boxes, Vectra can be installed using the extension collar kit (optional, ordered separately).

Tools required:

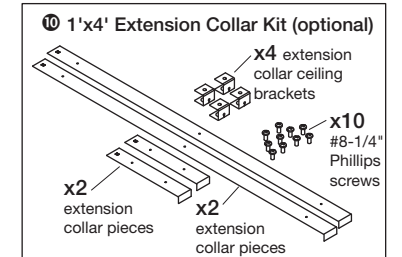
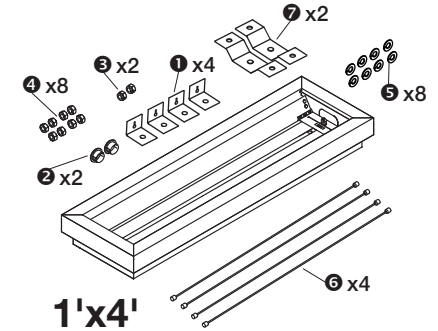
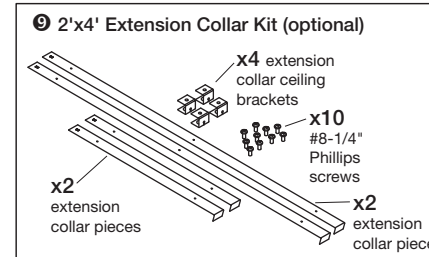
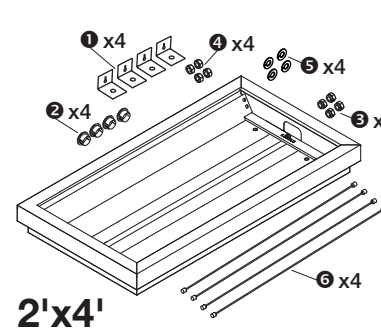
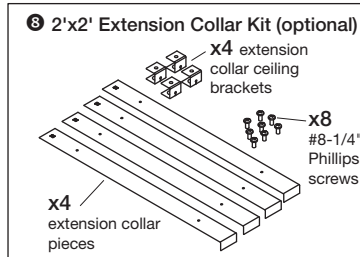
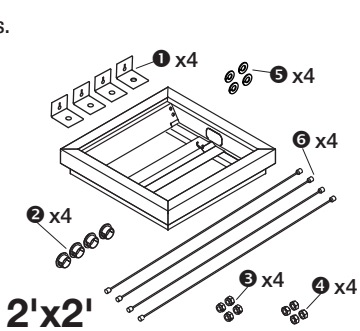
- 7/16" deep socket
- Phillips screwdriver (for extension collar only)

Fixture components:

- 1 Standard ceiling bracket (9404317)
- 2 White plugs, plastic (5007063)
- 3 1/4"-20 hex Nyloc nut (5006536)
- 4 1/4"-20 hex nut (5006111)
- 5 1/4" lock washer (5006307)
- 6 Aircraft cable 12" (5002426)
- 7 Mounting bracket - 1x4 only (9404327)

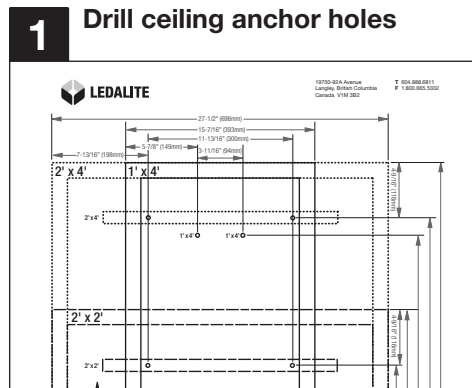
Extension collar kits: components (optional):

- 8 2'x2' Extension Collar Kit (322ZK02)
- 9 2'x4' Extension Collar Kit (324ZK02)
- 10 1'x4' Extension Collar Kit (321ZK02)



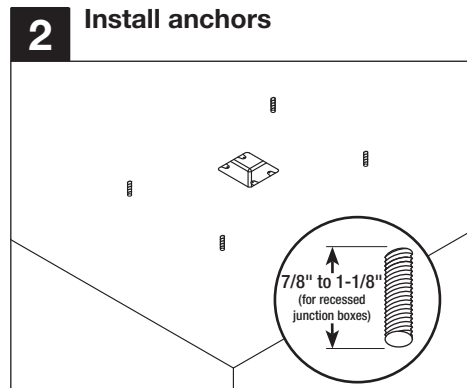
FOR RECESSED JUNCTION BOXES & CONDUIT ONLY

Note: For surface mounted junction boxes & conduit, refer to page 3



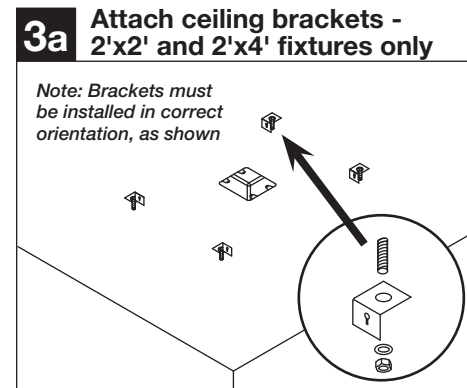
Use supplied mounting template to drill holes in correct location.

Note: See page 5 for installation dimensions.



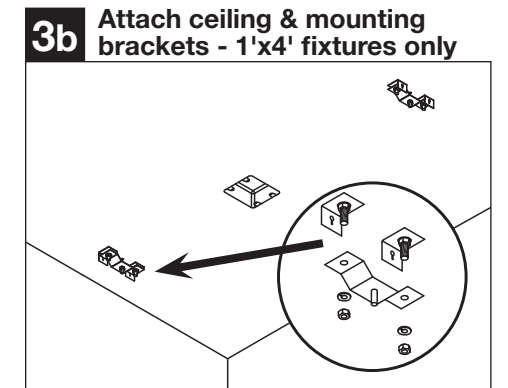
Install 1/4"-20 anchors (supplied by others) to ceiling making sure they protrude between 7/8" to 1-1/8".

Note: See page 3 for surface mount conduit and junction box installation dimensions.



2'x2'/2'x4' fixtures only - Attach ceiling brackets **in the orientation shown** using the supplied lock washer and 1/4"-20 hex nut.

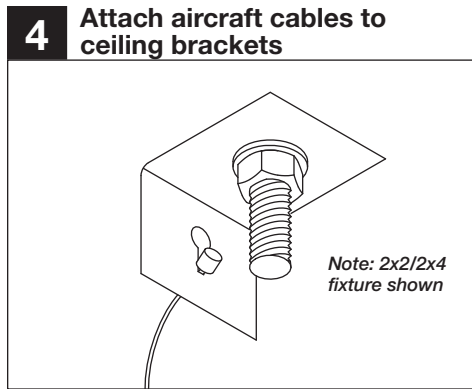
Note: 1x4 fixtures shown in Step 3b.



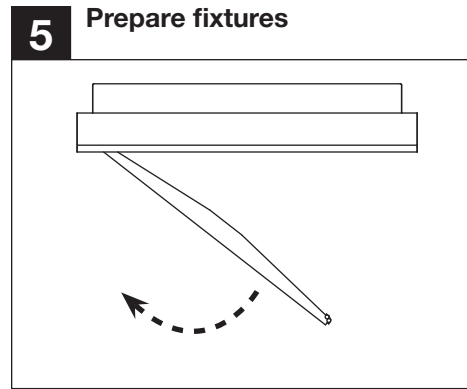
1'x4' fixture only - Attach ceiling and mounting brackets using supplied lock washers and 1/4"-20 nuts as shown.

Note: 2x2/2x4 fixtures shown in Step 3a.

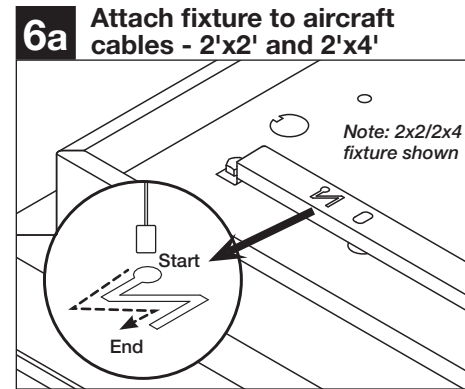
! ATTENTION: Install in accordance with national and local building and electrical codes.



Attach aircraft cables to ceiling brackets (4x).

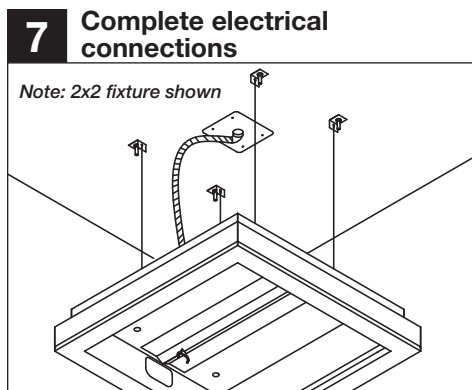
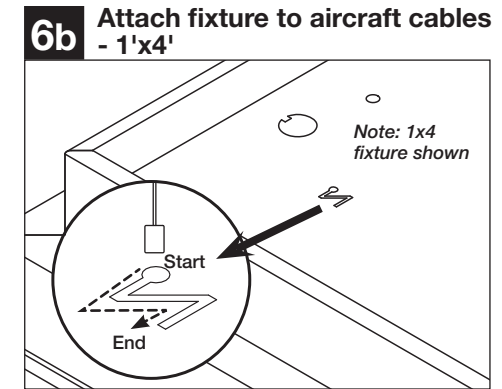


Remove door.



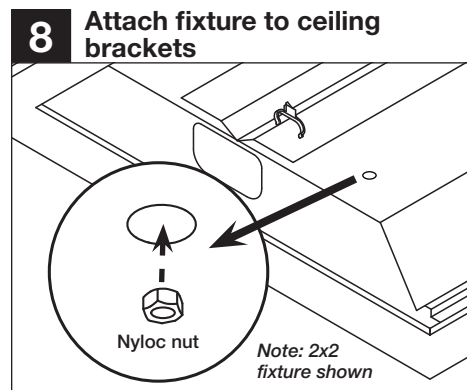
Raise fixture and install aircraft cable through hole following the zigzag pattern (4x).

Note: For 2x2 and 2x4 fixtures, see Step 6a. For 1x4 fixtures, see Step 6b.

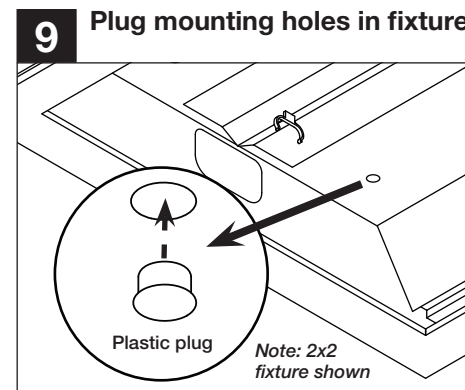


While fixture is hanging by aircraft cables, complete electrical connections.

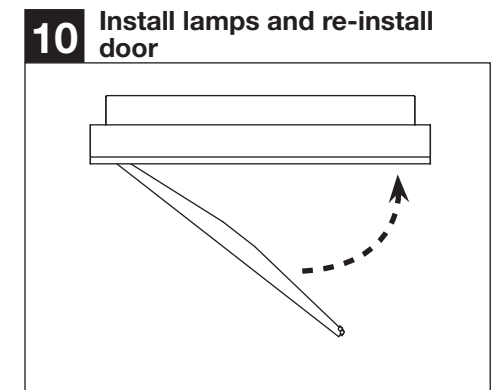
Note: Use purple and gray conductors for 0-10V dimming ballast only. For all other ballasts, keep conductors terminated.



Raise fixture to ceiling and attach fixture to ceiling brackets through holes in housing using 1/4"-20 Nyloc nuts.



Plug mounting holes in fixture with supplied white plugs.



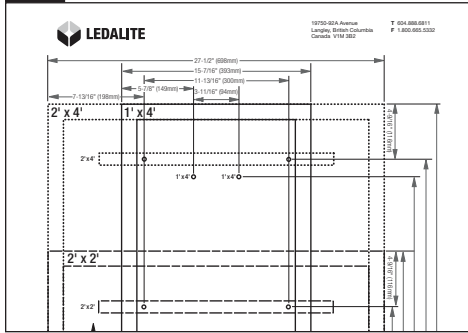
Install lamps and re-install door.

! ATTENTION: Install in accordance with national and local building and electrical codes.

FOR SURFACE MOUNTED JUNCTION BOXES & CONDUIT ONLY

Note: For recessed junction boxes & conduit, refer to page 1

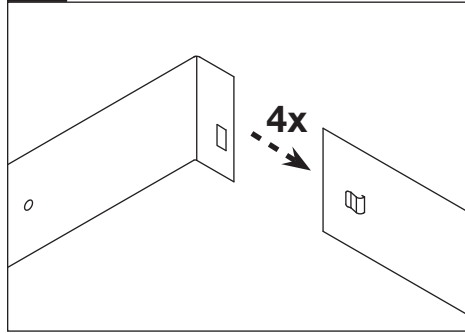
1 Drill ceiling anchor holes



Use supplied mounting template to drill holes in correct location according to fixture type.

Note: See page 5 for installation dimensions.

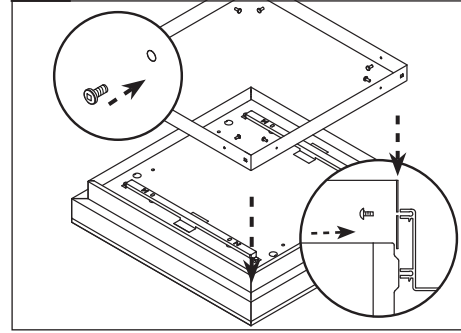
2 Assemble extension collar kit



Snap extension collar sections together. If necessary, cut out location for conduit.

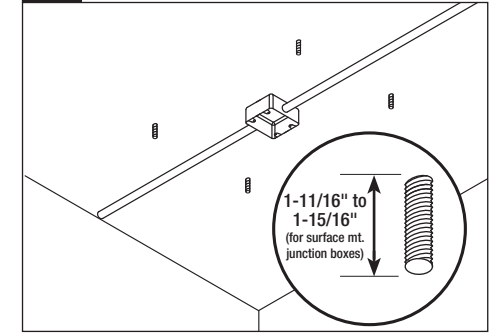
IMPORTANT: Maximum height of compatible surface mounted junction box is 1-5/8".

3 Secure extension collar to fixture



Attach extension collar to fixture using the #8-1/4" Phillips screws provided.

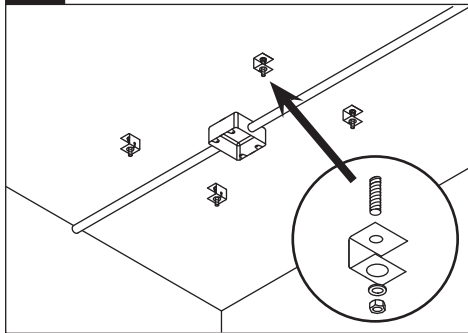
4 Install anchors



Install 1/4"-20 anchors (supplied by others) to ceiling making sure they protrude between 1-11/16" to 1-15/16".

Note: See page 1 for recessed mounted conduit and junction box installation dimensions.

5a Attach extension collar ceiling brackets - 2'x2' and 2'x4'

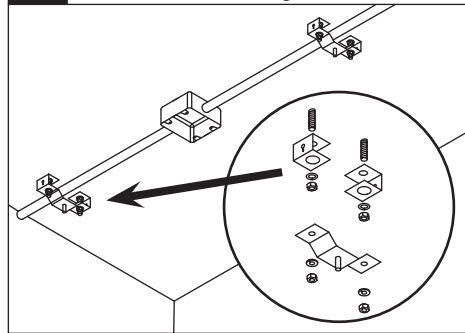


Attach extension collar ceiling brackets in the orientation shown using the supplied lock washer and 1/4"-20 nut.

Standard L-shaped ceiling brackets are to be discarded when using the extension collar kit.

Note: For 1x4 fixtures, see next Step 5b.

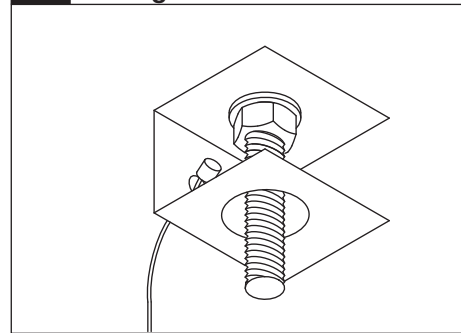
5b Attach extension brackets - 1'x4' fixtures only



1'x4' fixture only - attach extension collar mounting brackets using supplied lock washers and 1/4"-20 nuts as shown. Do not overtighten. Standard L-shaped ceiling brackets are to be discarded.

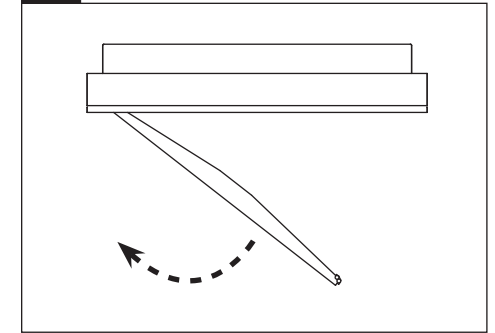
Note: For 2x2 and 2x4 fixtures, see previous Step 5a.

6 Attach aircraft cables to ceiling brackets



Attach aircraft cables to ceiling brackets.

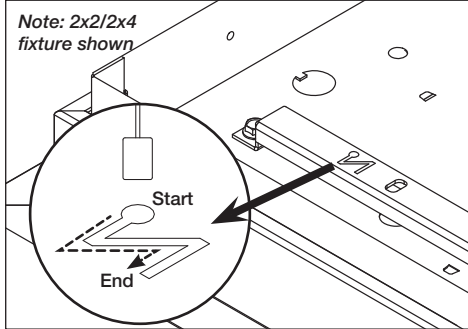
7 Prepare fixtures



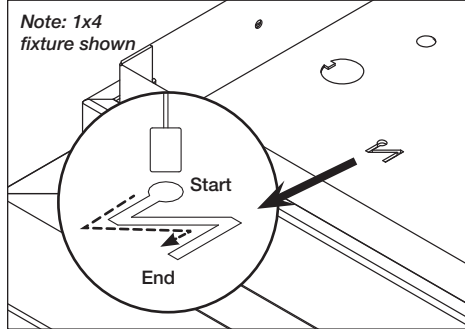
Remove door.

! ATTENTION: Install in accordance with national and local building and electrical codes.

8a Attach fixture to aircraft cables - 2'x2' and 2'x4'

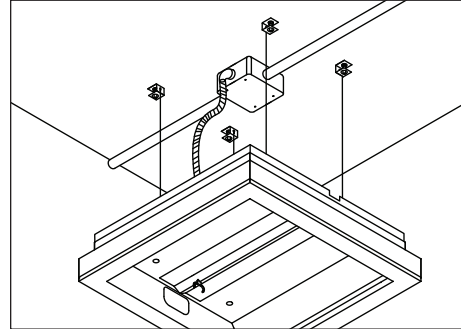


8b Attach fixture to aircraft cables - 1'x4'



Raise fixture and attach aircraft cables to fixture into zigzag patterns as shown (4x).
Note: for 2'x2' and 2'x4' fixtures, see Step 8a. For 1'x4' fixtures, see Step 8b.

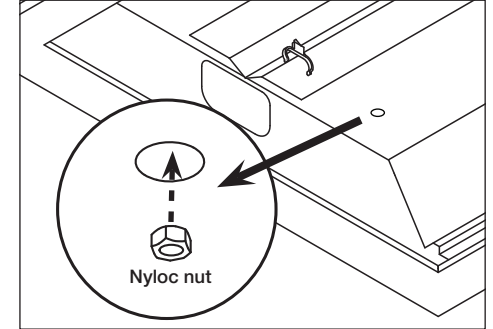
9 Complete electrical connections



While fixture is hanging by aircraft cables, complete electrical connections.

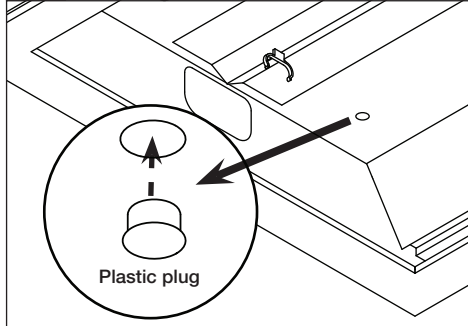
Note: Use purple and gray conductors for 0-10V dimming ballast only. For all other ballasts, keep conductors terminated.

10 Attach fixture to ceiling brackets



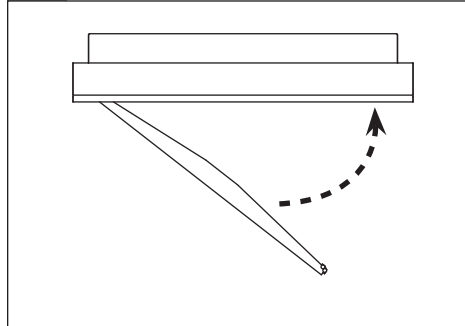
Raise fixture to ceiling and attach fixture to ceiling brackets through holes in housing using 1/4"-20 Nyloc nuts.

11 Plug mounting holes in fixture



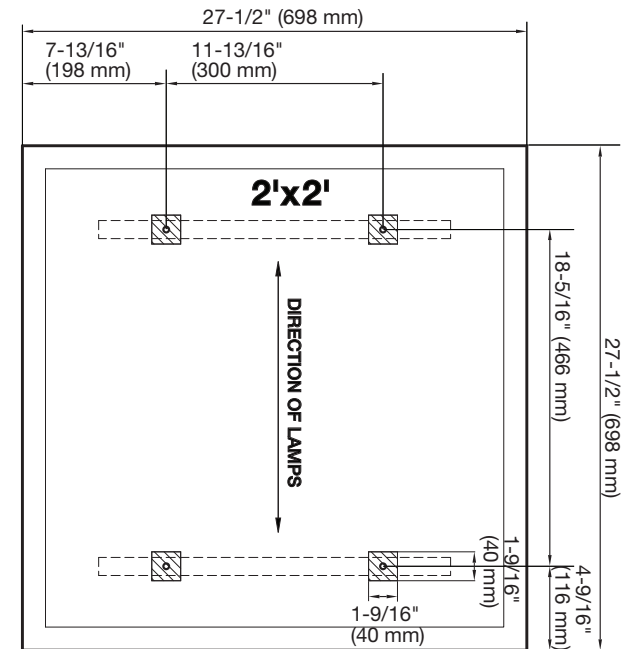
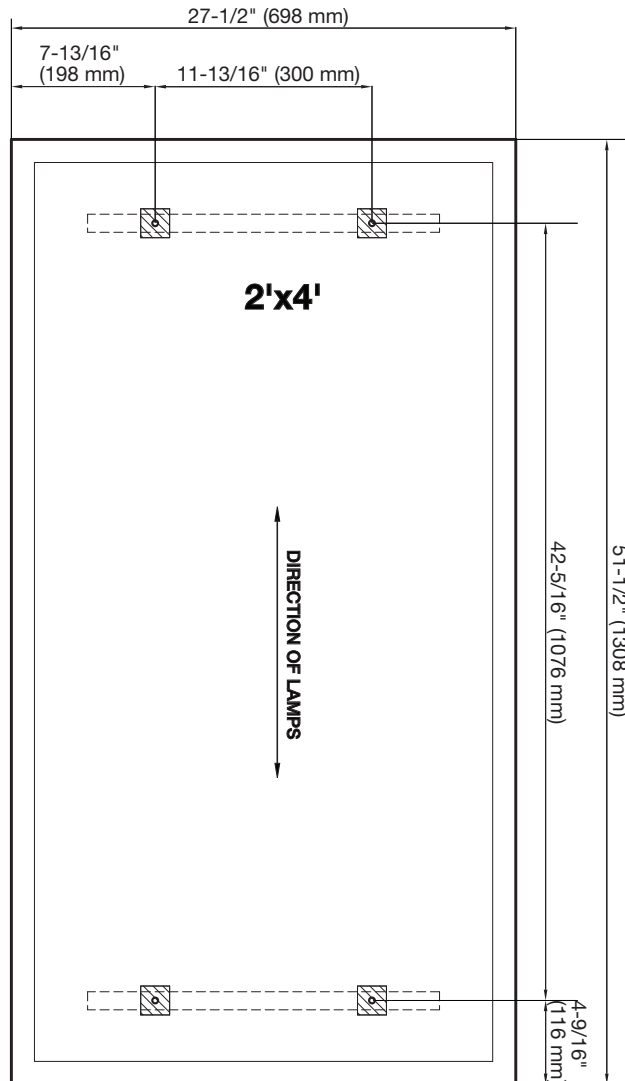
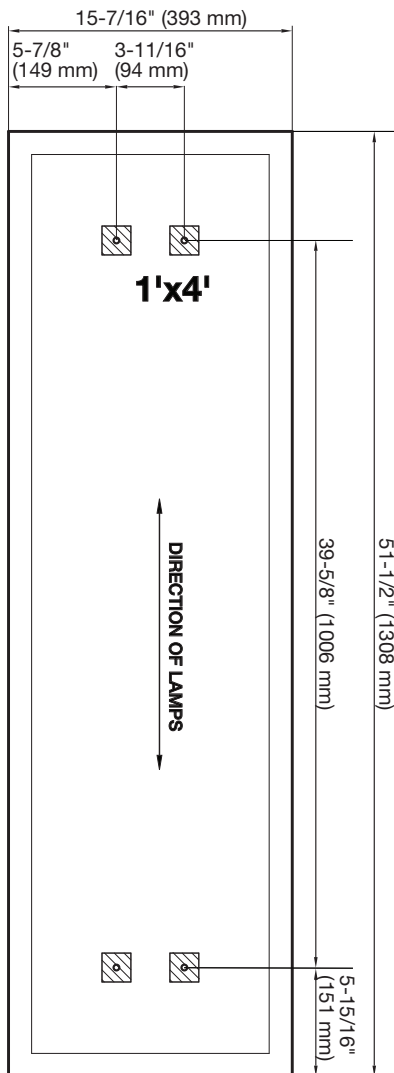
Plug mounting holes in fixture with supplied white plugs.

12 Install lamps and re-install door



Install lamps and re-install door.

! ATTENTION: Install in accordance with national and local building and electrical codes.



! ATTENTION: Install in accordance with national and local building and electrical codes.

Page 5