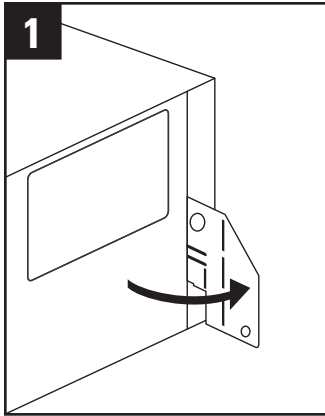
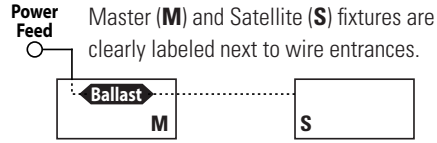


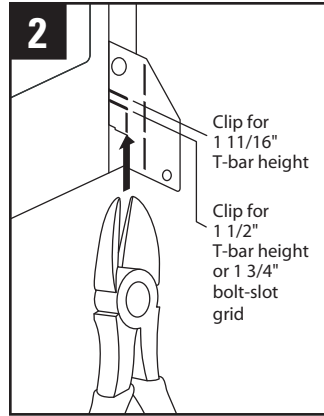
Standalone with Master/Satellite

ID-97_SMS

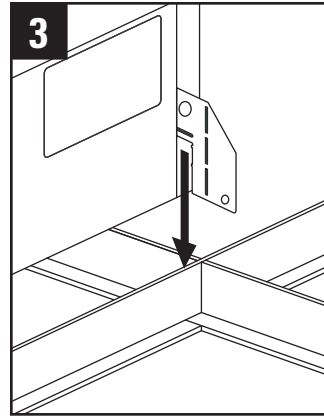
With master/satellite, a multi-lamp ballast in every other fixture reduces the total number of ballasts required. Each satellite fixture is connected by a flex connector (supplied by Ledalite) to a master fixture. All master fixtures receive a direct power feed.



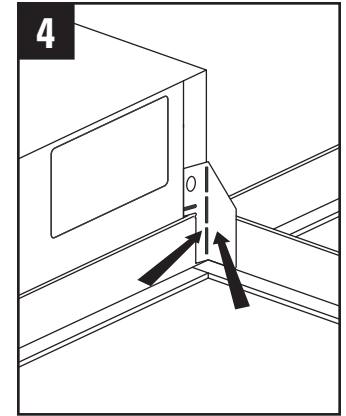
1 Bend out mounting tab 90 degrees on each corner.



2 Use side cutters to adjust each tab to height of T-bar.



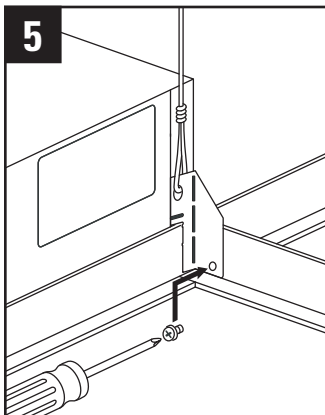
3 Lay fixture into T-bar grid.



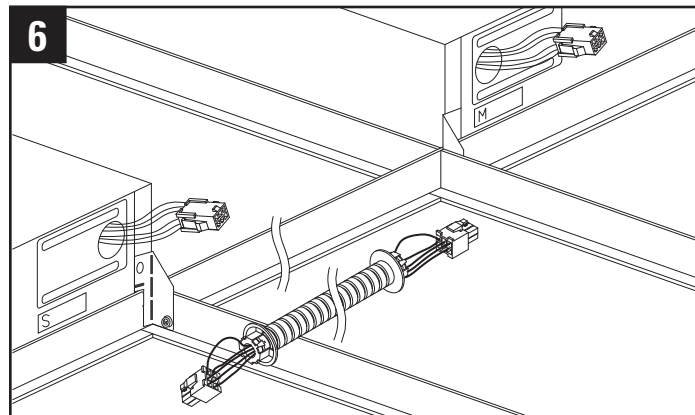
4 Bend tabs flush against T-bar in order to clear corner for ceiling tile.

! DRYWALL & AIR RETURN

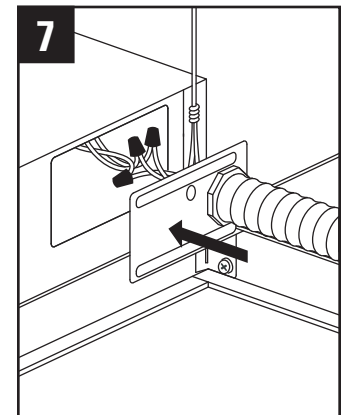
If installing in DRYWALL or if fixture includes AIR RETURN, some steps on this instruction sheet may not be applicable. Refer to separate drywall and air return instruction sheets.



5 Use a #8 x 1/4" sheet metal screw to fasten fixture to T-bar grid and use a hanger wire to tie off appropriately in accordance with local building codes. (Screws and hanger wires supplied by others.)



6 Attach master and satellite fixtures to the T-bar grid following steps 1-5. Attach one end of the flex connector to the master fixture. Feed the cable into the fixture and attach to the wire entrance cover. Repeat for the satellite fixture. *Note:* use only the Ledalite supplied flex connector.



7 Make all electrical connections to each master fixture.

Part # 5006823

! ATTENTION: Install in accordance with national and local building and electrical codes. This fixture uses acrylic panels and extruded acrylic lenses. For cleaning, use a soft cloth dampened with water and a mild liquid detergent. **DO NOT SPRAY DIRECTLY ONTO THE FIXTURE** and do not use excessive water, as it can seep between optical panels. Avoid the use of detergents with hand softeners, anti-bacterial agents or glass cleaners. Do not use acrylic cleaning polishes.