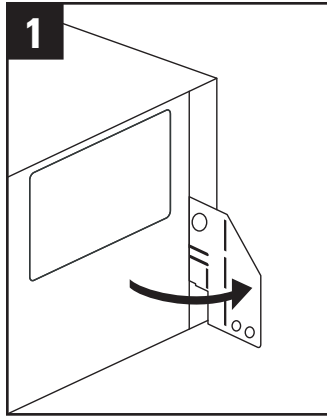
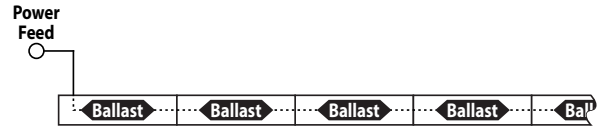


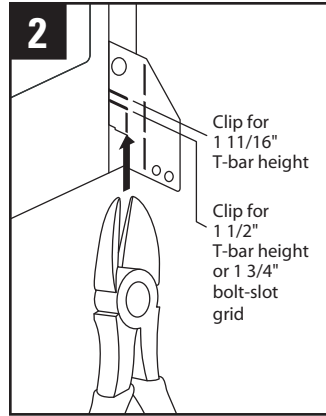
**Continuous Row**

**ID-97\_CR**

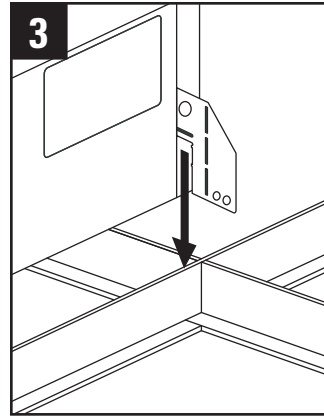
*Fixtures are joined together in a continuous row and serviced by one power feed. Thru wiring is provided, with quick-wire connectors and knock-outs at fixture ends. Every fixture contains its own ballast.*



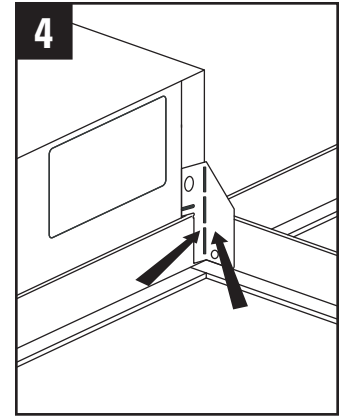
**1** Bend out mounting tab 90 degrees on each corner.



**2** Use side cutters to adjust each tab to height of T-bar.

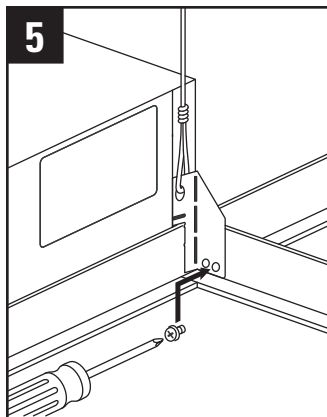


**3** Lay fixture into T-bar grid.

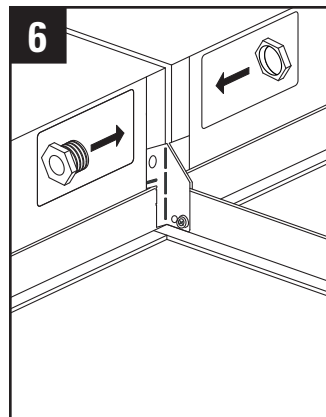


**4** Bend tabs flush against T-bar in order to clear corner for ceiling tile.

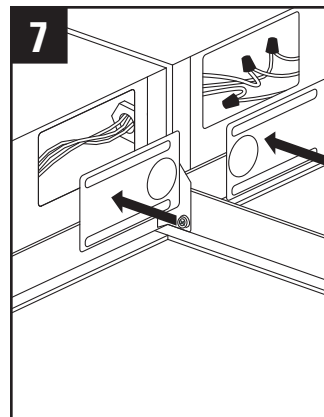
**If installing in DRYWALL, some steps on this instruction sheet may not be applicable. Refer to separate drywall instruction sheet.**



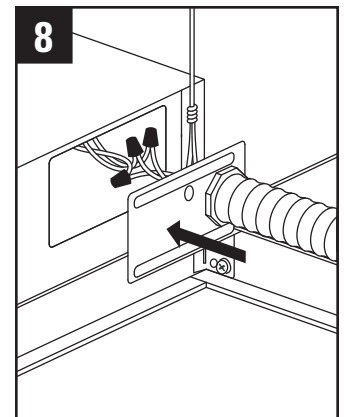
**5** Use a #8 x 1/4" sheet metal screw to fasten fixture to T-bar grid and use a hanger wire to tie off appropriately in accordance with local building codes. (Screws and hanger wires supplied by others.)



**6** Remove connecting knock-outs and attach adjacent fixtures to the T-bar grid following steps 1-5. Place a 1/2" nipple through the knock-out hole between the fixtures. Fasten with a 1/2" NPT lock nut. (Nipple and lock nut supplied by others.)



**7** Feed the wires through the nipple and make all electrical connections between the fixtures following the correct wiring color code.



**8** Ensure that the wiring in the last fixture in the row is properly terminated. Then make all electrical connections to the first fixture in the row.

Part # 5006824

**! ATTENTION: Install in accordance with national and local building and electrical codes.** This fixture uses acrylic panels and extruded acrylic lenses. For cleaning, use a soft cloth dampened with water and a mild liquid detergent. **DO NOT SPRAY DIRECTLY ONTO THE FIXTURE** and do not use excessive water, as it can seep between optical panels. Avoid the use of detergents with hand softeners, anti-bacterial agents or glass cleaners. Do not use acrylic cleaning polishes.