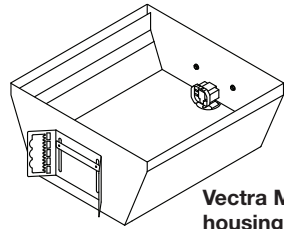
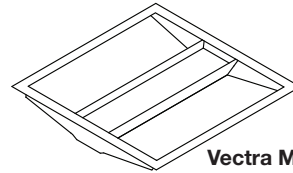


System Overview

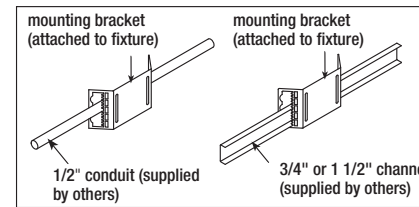
These instructions review how to install Vectra Micro recessed fixtures. Vectra Micro can be installed using micro hanger kits (optional, ordered separately) OR using an alternate mounting method (supplied by others). The hanger kit allows installation in most common T-bar ceiling types and non-accessible ceilings. If hanger kits have not been ordered, contractors can use EMT conduit or channel (supplied by others). **IMPORTANT: Vectra Micro fixtures are rated for non-IC installations only. Do not install insulation within 3" (76 mm) of any part of the luminaire.**



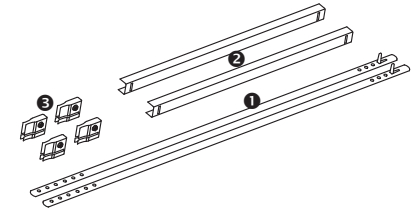
Vectra Micro housing



Vectra Micro lens frame



Alternate mounting methods
(supplied by others)



OPTIONAL Vectra Micro hanger kit *
Cat. No 941Z001 (ordered separately)

- ① 27" hanger bars (x2)
- ② Redirection bars* (x2)
- ③ T-bar anchor clips (x4)

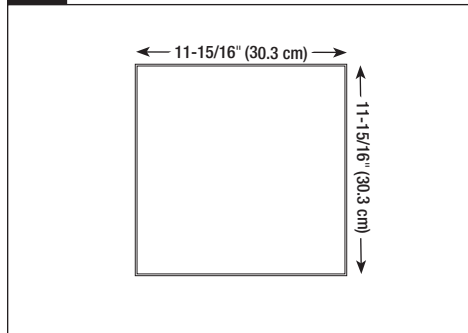
* NOTE: see redirection instructions, page 2

TOOLS REQUIRED: Phillips screwdriver, 1/4" nut driver.

NEW INSTALLATION (DRYWALL)

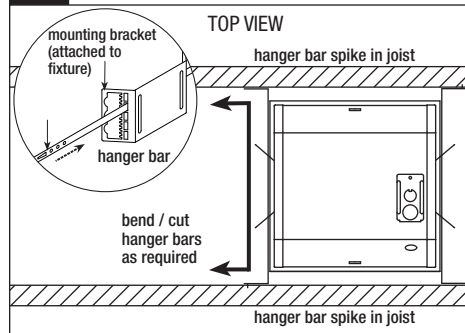
For T-bar ceiling installation, see page 2

1 Prepare ceiling cut-out



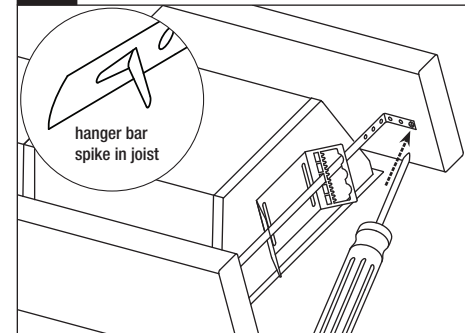
Cut out ceiling opening size of 11-15/16" (30.3 cm) square.

2 Install housing



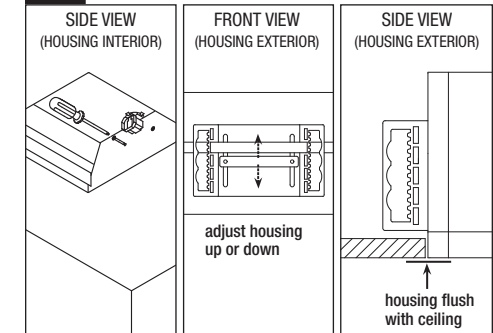
Install housing between joists using hanger bars (included in hanger kit). Insert hanger bars through slots in mounting brackets (attached to fixture). Hanger bars can be bent and / or cut to allow exact placement of fixture between joists. Bend bars to required span (using pliers).

3 Secure



Secure one end of hanger bar to the joist using the spike on the hanger bar. Secure to joist, at both ends, using screws (supplied by others).

4 Adjust to ceiling height



Loosen screws (located on INSIDE of housing) and slide housing up or down to required height.

Housing should be adjusted so that the bottom edge is flush with finished ceiling (or slightly recessed above).

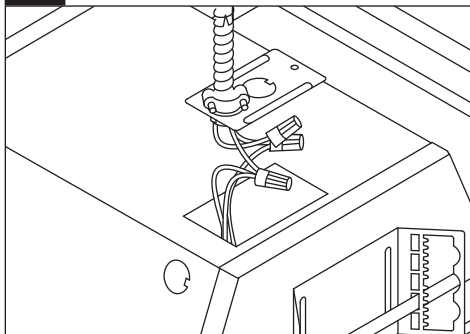
! ATTENTION: Install in accordance with national and local building and electrical codes.

Page 1

T-BAR CEILING INSTALLATION

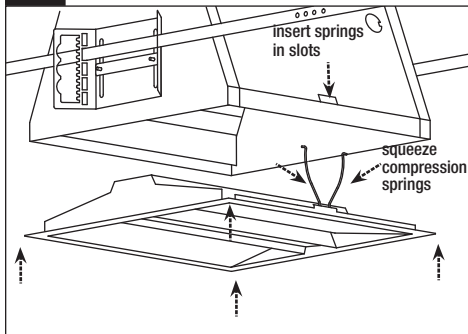
For drywall installation, see page 1

5 Make electrical connections



Make all electrical connections to the fixture.

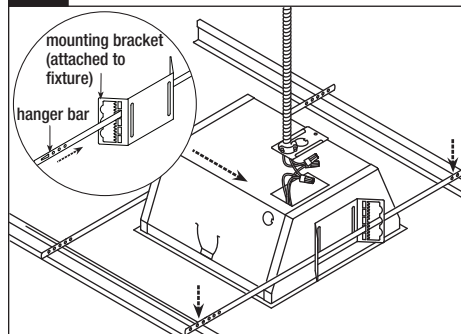
6 Install lens frame



Squeeze compression springs and insert ends into the slots located on the housing. Push lens frame up into housing until it is firmly against ceiling surface.

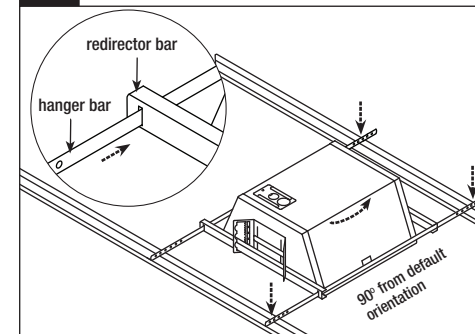
TO INSTALL LAMPS, SEE LAMP REPLACEMENT INSTRUCTIONS BELOW.**

1 Install housing



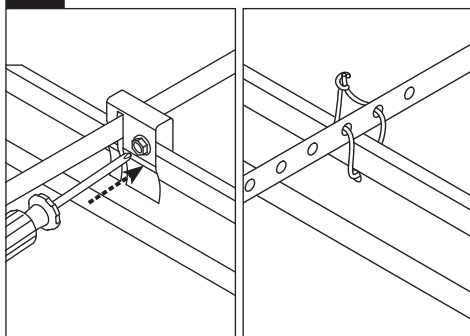
Insert hanger bars (ordered separately, see page 1) through slots in mounting brackets (attached to fixture). Mount fixture in ceiling by placing hanger bars across T-bars.

* Redirection



*** IF REQUIRED:** fixture can be mounted 90° from default orientation. Insert redirection bars through mounting brackets. Insert hanger bars through redirection bars. Place hanger bars across T-bars.

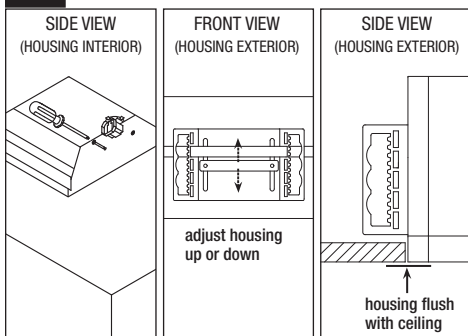
2 Secure



Insert anchor clips (included in hanger kit) over hanger bars and T-bar. Secure clips with supplied screws.

If required, use guy wire (supplied by others), to tie-off hanger bars to structure.

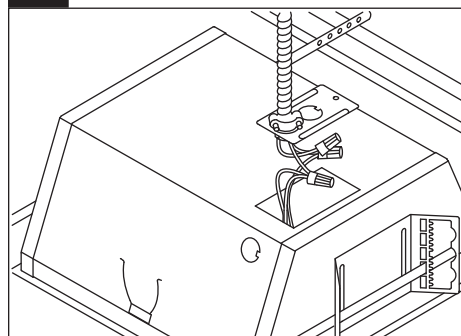
3 Adjust to ceiling height



Loosen screws (located on INSIDE of housing) and slide housing up or down to required height.

Housing should be adjusted so that the bottom edge is flush with finished ceiling (or slightly recessed above).

4 Make electrical connections

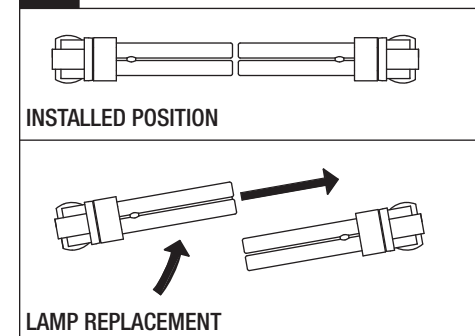


Make all electrical connections to the fixture.

GO TO STEP 6 ABOVE TO FINISH INSTALLATION.

TO INSTALL LAMPS, SEE LAMP REPLACEMENT INSTRUCTIONS.**

** Lamp Replacement



INSTALLED POSITION

LAMP REPLACEMENT

! ATTENTION: Install in accordance with national and local building and electrical codes.