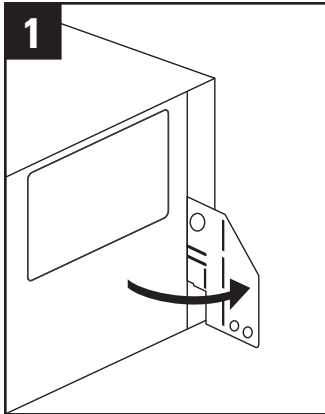
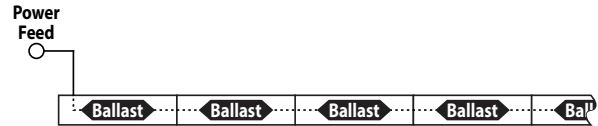


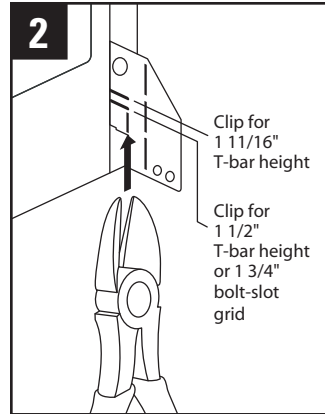
Continuous Row

ID-94_CR

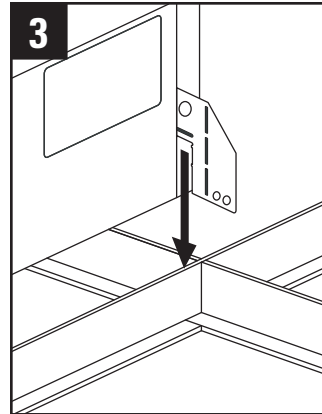
Fixtures are joined together in a continuous row and serviced by one power feed. Thru wiring is provided, with quick-wire connectors and knock-outs at fixture ends. Every fixture contains its own ballast.



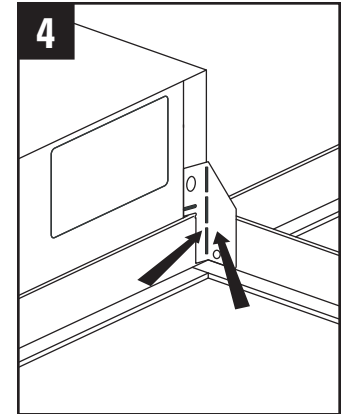
1 Bend out mounting tab 90 degrees on each corner.



2 Use side cutters to adjust each tab to height of T-bar.

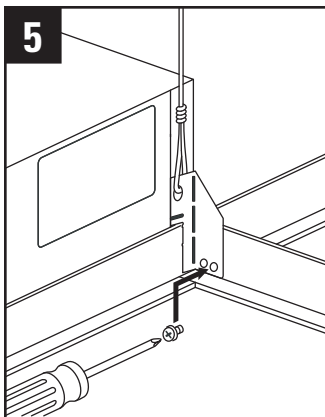


3 Lay fixture into T-bar grid.

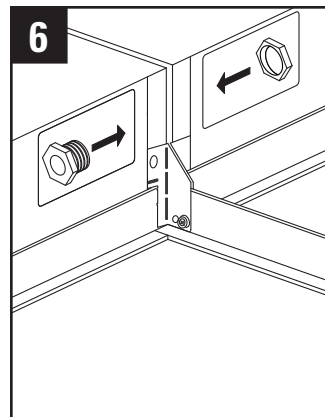


4 Bend tabs flush against T-bar in order to clear corner for ceiling tile.

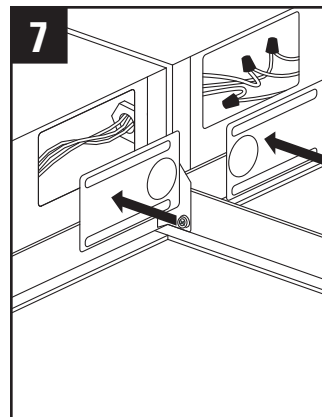
If installing in DRYWALL, some steps on this instruction sheet may not be applicable. Refer to separate drywall instruction sheet.



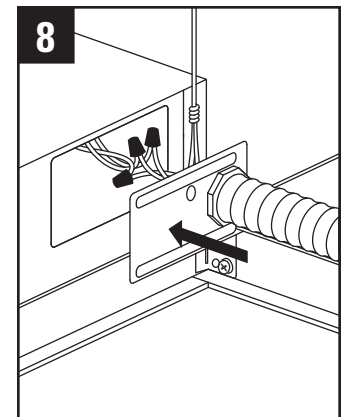
5 Use a #8 x 1/4" sheet metal screw to fasten fixture to T-bar grid and use a hanger wire to tie off appropriately in accordance with local building codes. (Screws and hanger wires supplied by others.)



6 Remove connecting knock-outs and attach adjacent fixtures to the T-bar grid following steps 1-5. Place a 1/2" nipple through the knock-out hole between the fixtures. Fasten with a 1/2" NPT lock nut. (Nipple and lock nut supplied by others.)



7 Feed the wires through the nipple and make all electrical connections between the fixtures following the correct wiring color code.



8 Ensure that the wiring in the last fixture in the row is properly terminated. Then make all electrical connections to the first fixture in the row.

Part # 5006671 Rev. 2

ATTENTION: Install in accordance with National and Local Building and Electrical Codes.

This fixture uses acrylic panels and extruded acrylic lenses. For cleaning, use a soft cloth dampened with water and a mild liquid detergent. **DO NOT SPRAY DIRECTLY ONTO THE FIXTURE** and do not use excessive water, as it can seep between optical panels. Avoid the use of detergents with hand softeners, anti-bacterial agents or glass cleaners. Do not use acrylic cleaning polishes.