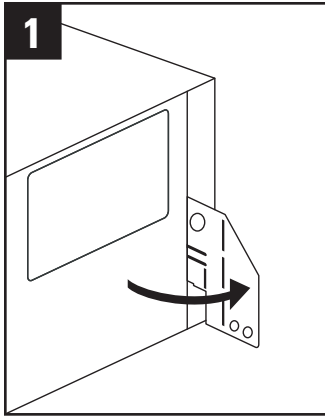
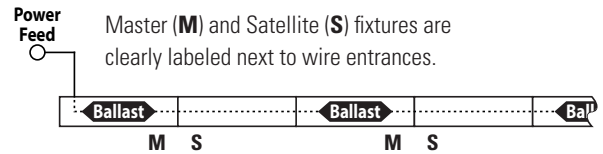


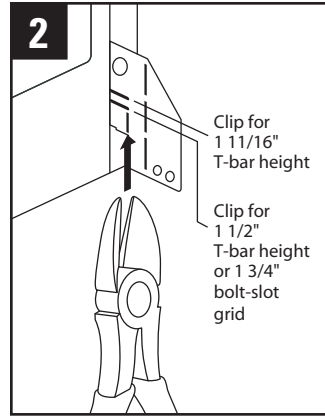
Continuous Row with Master/Satellite

ID-94_CMS

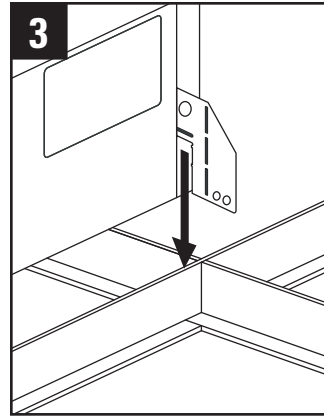
With master/satellite, a multi-lamp ballast in every other fixture reduces the total number of ballasts required. Each satellite fixture is connected by thru wiring to an adjacent master fixture. Fixtures are joined together in a continuous row and serviced by one power feed. Thru wiring is provided, with quick-wire connectors and knock-outs at fixture ends.



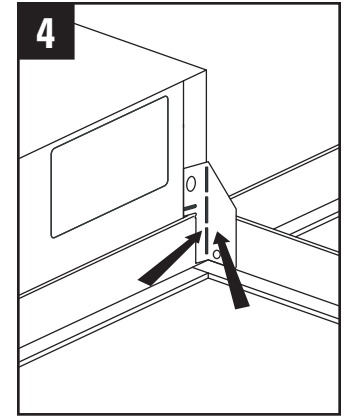
1 Bend out mounting tab 90 degrees on each corner.



2 Use side cutters to adjust each tab to height of T-bar.

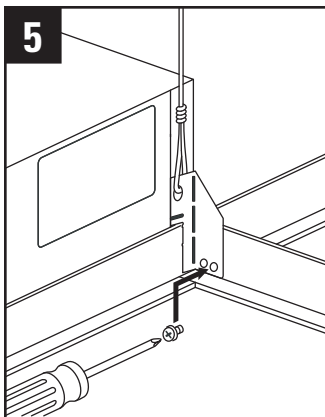


3 Lay fixture into T-bar grid.

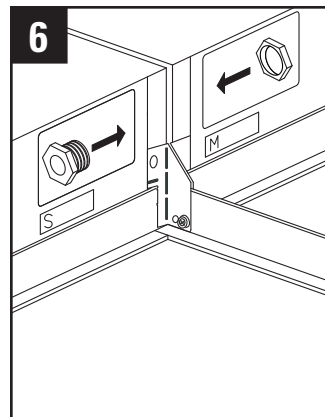


4 Bend tabs flush against T-bar in order to clear corner for ceiling tile.

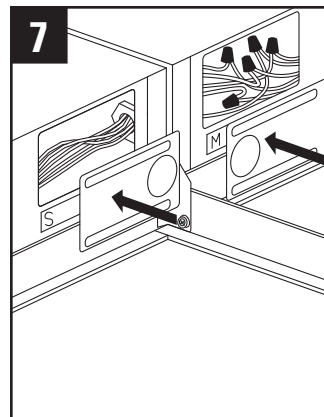
If installing in DRYWALL, some steps on this instruction sheet may not be applicable. Refer to separate drywall instruction sheet.



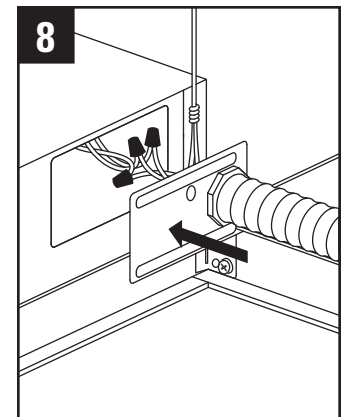
5 Use a #8 x 1/4" sheet metal screw to fasten fixture to T-bar grid and use a hanger wire to tie off appropriately in accordance with local building codes. (Screws and hanger wires supplied by others.)



6 Remove connecting knock-outs and attach adjacent master and satellite fixtures to the T-bar grid following steps 1-5. Place a 1/2" nipple through the knock-out hole between the fixtures. Fasten with a 1/2" NPT lock nut. (Nipple and lock nut supplied by others.)



7 Feed the wires through the nipple and make all electrical connections between the fixtures following the correct wiring color code.



8 Ensure that the wiring in the last fixture in the row is properly terminated. Then make all electrical connections to the first master fixture in the row.

Part # 5006672 Rev. 2

ATTENTION: Install in accordance with National and Local Building and Electrical Codes.

This fixture uses acrylic panels and extruded acrylic lenses. For cleaning, use a soft cloth dampened with water and a mild liquid detergent. **DO NOT SPRAY DIRECTLY ONTO THE FIXTURE** and do not use excessive water, as it can seep between optical panels. Avoid the use of detergents with hand softeners, anti-bacterial agents or glass cleaners. Do not use acrylic cleaning polishes.