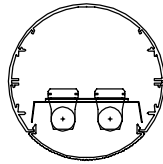


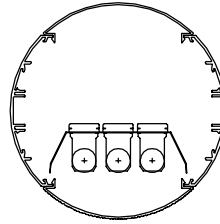
Installation Instructions

These instructions are applicable to TLS-6" and TLS-9"

Fixture Options:



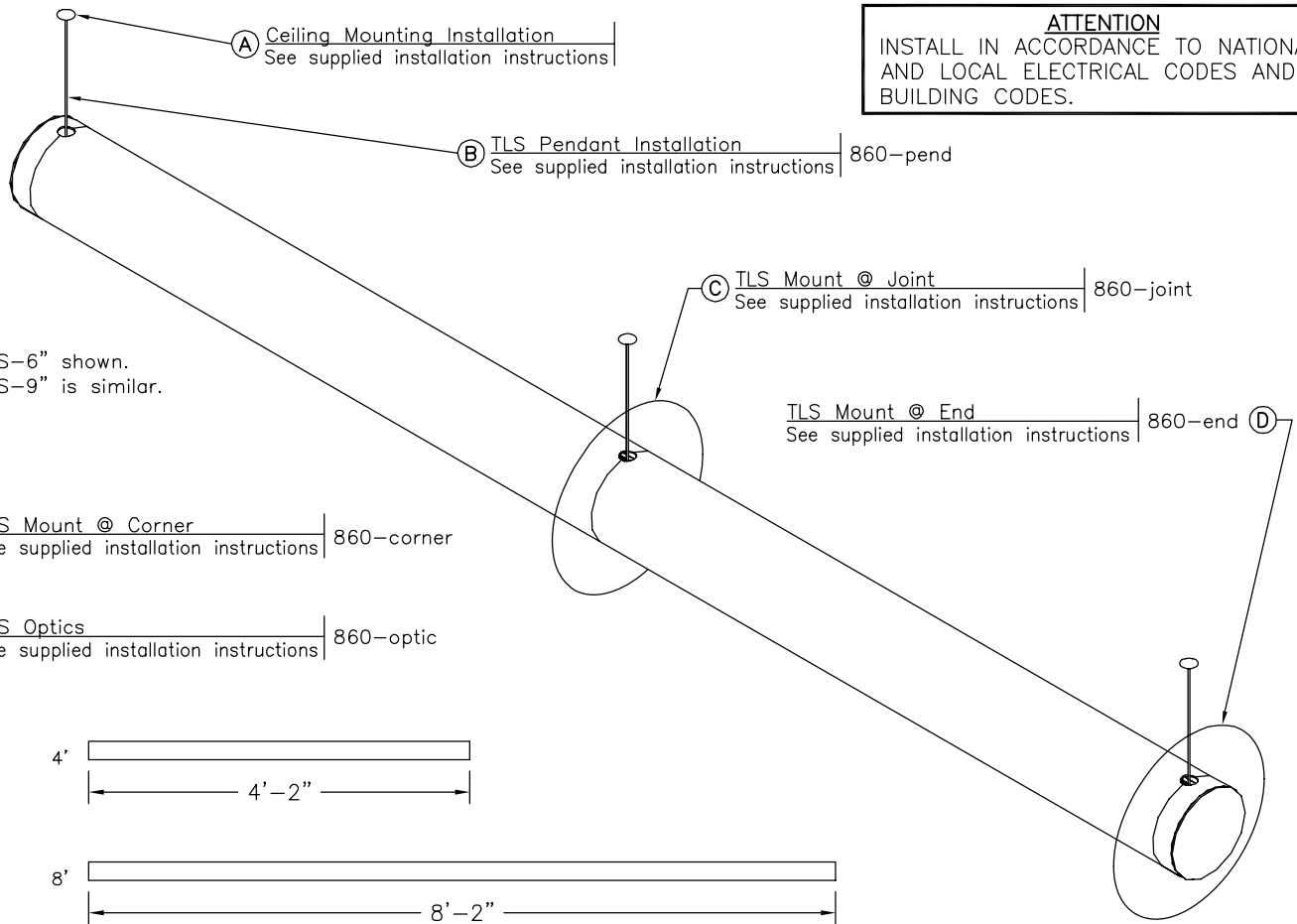
TLS-6"



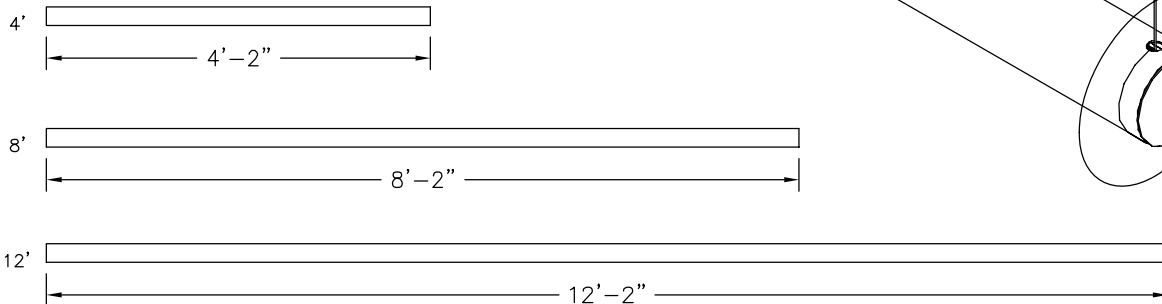
TLS-9"

- ① Read All Installation Instructions Before Installing Fixtures.
- ② Layout boxed fixtures on floor in desired mounting locations. Remove fixtures from boxes but keep the protective plastic on during installation.
- ③ General installation sequence:
 - (A) Install ceiling mounting kits (see below).
 - (B) Hang aircraft pendants or solid pendants and attach fixture mounting brackets (see below).
 - (C) Ensure that mounting system components have been installed correctly by temporarily applying a 25 lb. point load to each mounting bracket location.
 - (D)&(E) Attach fixtures to mounting brackets at joints and ends (see below).

ATTENTION
 INSTALL IN ACCORDANCE TO NATIONAL
 AND LOCAL ELECTRICAL CODES AND
 BUILDING CODES.



TLS-6" shown.
 TLS-9" is similar.



Overall Fixture Lengths And Mounting Dimensions

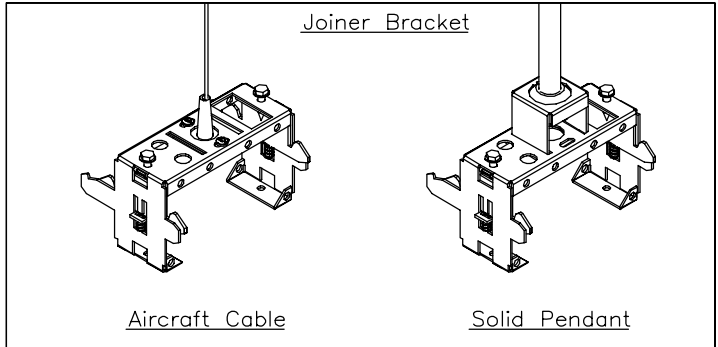
Installation Instructions

- ① Install ceiling components. (See supplied "Mounting Installation" instructions.)
- ② Install vertical aircraft cable and/or solid pendant.
- ③ Attach joiner bracket as shown below. (Refer to supplied "Mount @ End", "Mount @ Corner, and "Mount @ Joint" installation instructions.)
- ④ To ensure all mounting system components have been installed correctly, temporarily apply a 25 lb. point load to each mounting bracket location.

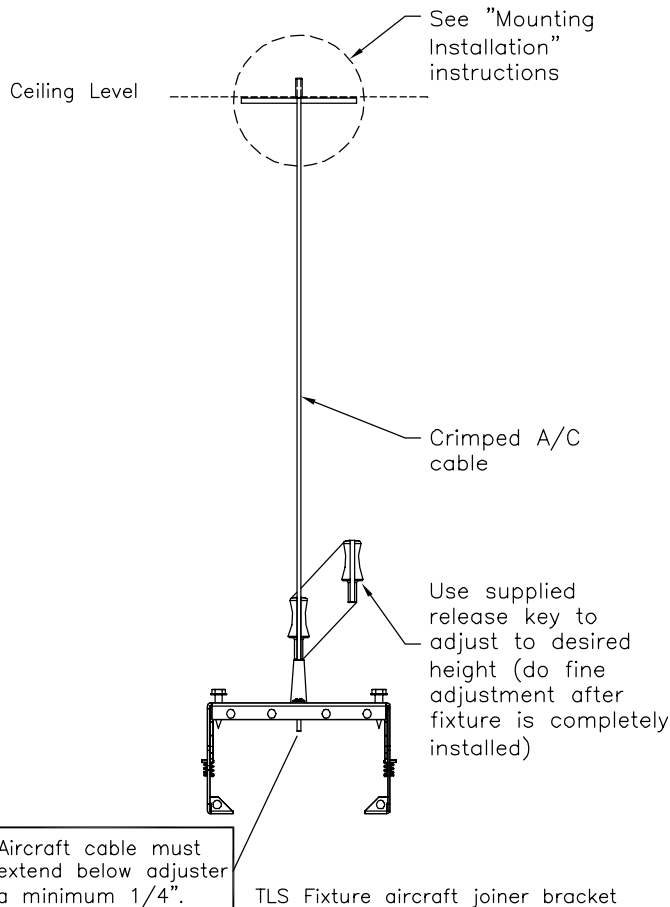
ATTENTION: AIRCRAFT CABLE ADJUSTER

To ensure quick and easy installation when using the aircraft adjusters follow these simple steps:

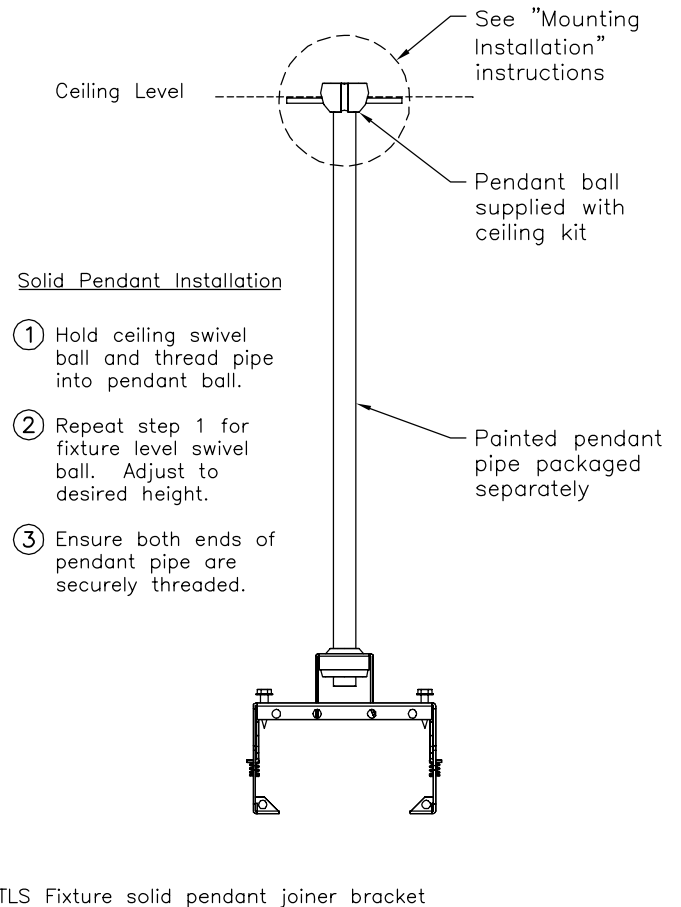
1. Be sure to cut cable ends cleanly prior to inserting into adjuster. Recommended cutters, H.K. Porter cable cutter cat. No. 0690TN or Klein all purpose shears cat. No. 1104.
2. Carefully insert cable straight into tapered end.
3. DO NOT FORCE CABLE INTO ADJUSTER. If cable does not insert easily or becomes jammed during insertion, use the release tool provided to remove cable, trim end again and repeat process. DO NOT ALLOW CABLE TO BEND BELOW BOTTOM OF ADJUSTER.
4. Once cable is inserted in position, apply a 25 lb. point load to each mount bracket to ensure all connections are secure.



Aircraft Cable (Adjuster)



Solid Pendant (5/8" OD)

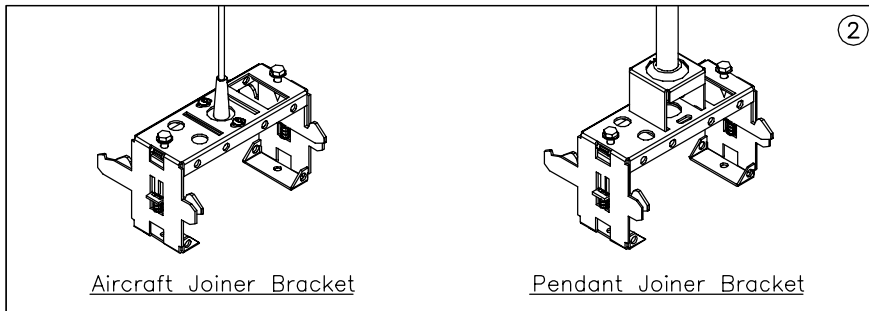
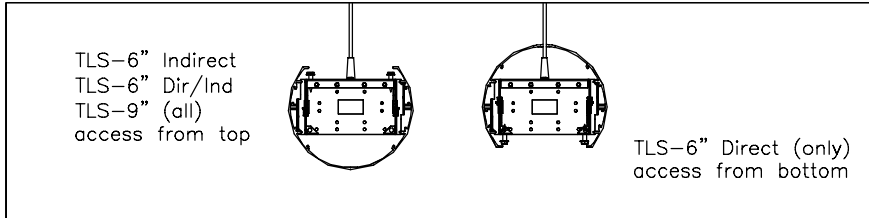


ATTENTION
INSTALL IN ACCORDANCE TO NATIONAL
AND LOCAL ELECTRICAL CODES AND
BUILDING CODES.

Installation Instructions

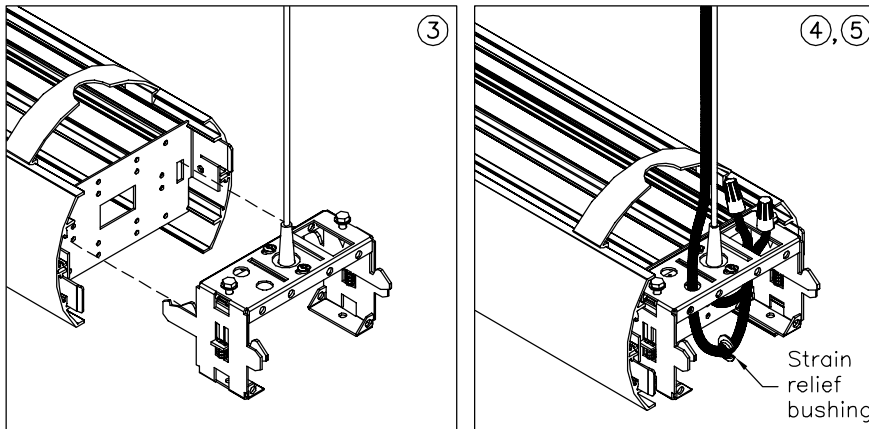
These instructions are applicable to TLS-6" and TLS-9"

- ① Install ceiling components. (See supplied "Mounting Installation" instructions.)
- ② Install vertical aircraft cable pendant or solid pendant and attach fixture joiner brackets to pendants.



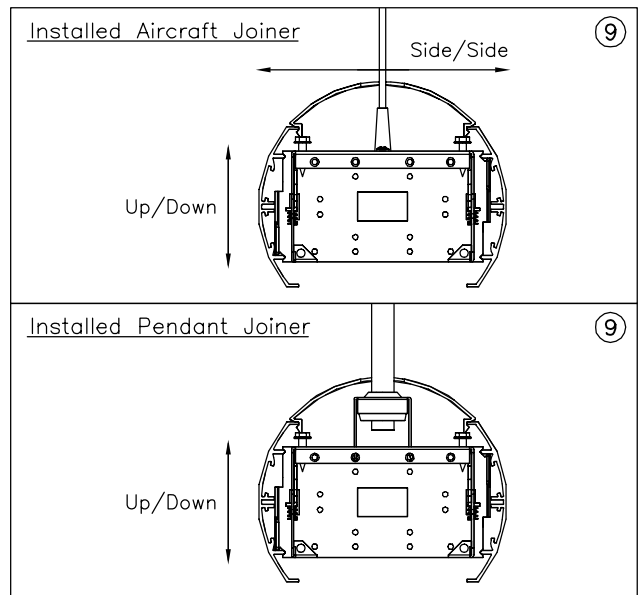
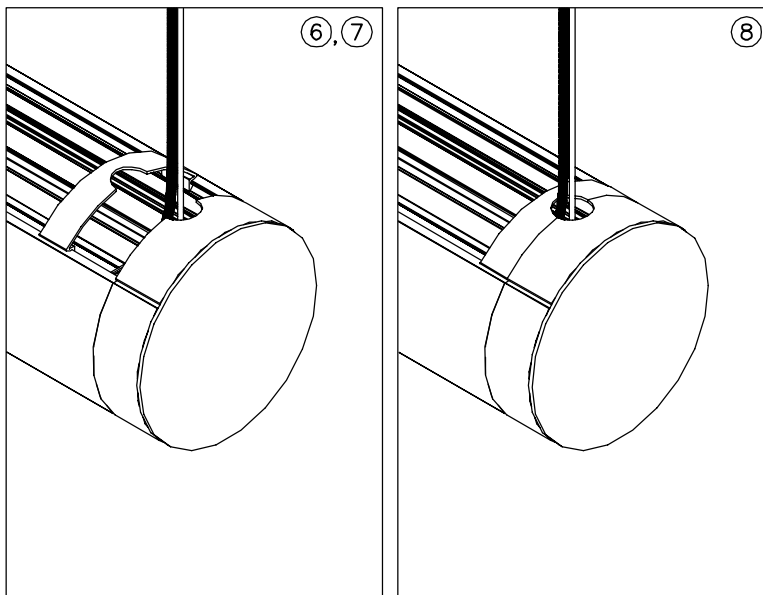
- ③ Slide joiner bracket into fixture end until mount bracket locks into place.
- ④ Pull power wires through opening in top of joiner bracket (except TLS-6" direct luminaire: pull wires down out of way of bracket.)
- ⑤ **FOR POWER CONNECTIONS:** Feed electrical cord through one of the two 7/16" holes in top of joiner bracket and back up through square opening (except TLS-6" direct). Attach strain relief bushing (or tie knot in cord) and make appropriate power connections.

NOTE: Pendant pipe detail not shown. Power is fed through pendant pipe into joiner bracket.



- ⑥ Push endcap onto exposed part of joiner bracket until it locks in place.
- ⑦ Tighten joiner bracket screws using a 5/16" nut driver.
- ⑧ Push wires back into joiner bracket and slide top and/or bottom cover back to end of fixture.
- ⑨ Make final side/side and up/down adjustment.

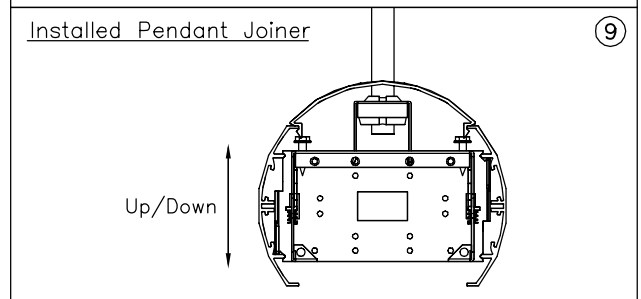
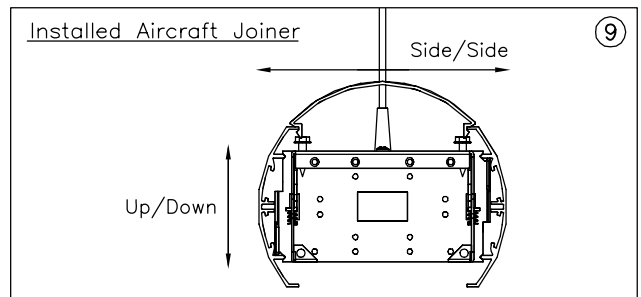
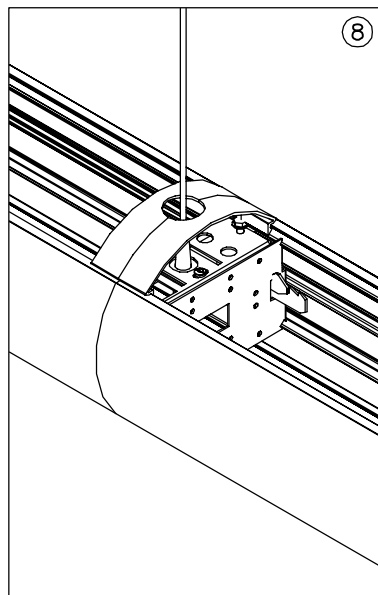
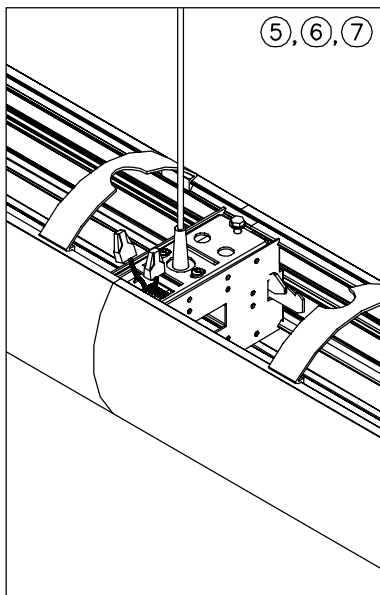
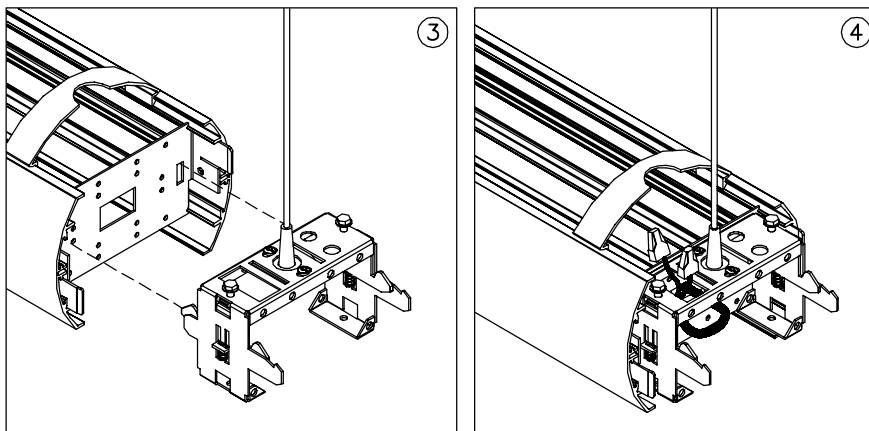
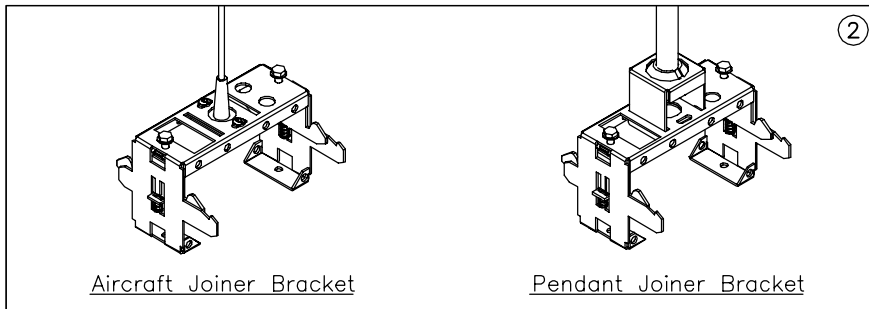
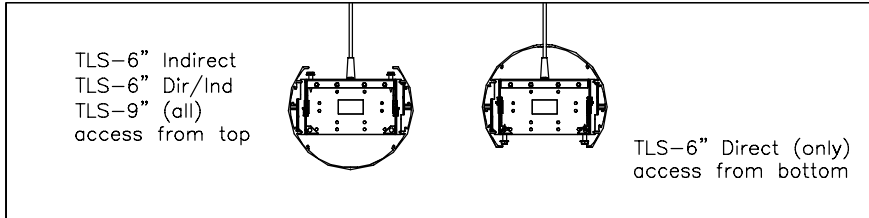
ATTENTION
INSTALL IN ACCORDANCE TO NATIONAL AND LOCAL ELECTRICAL CODES AND BUILDING CODES.



Installation Instructions

These instructions are applicable to TLS-6" and TLS-9"

- ① Install ceiling components. (See supplied "Mounting Installation" instructions.)
- ② Install vertical aircraft cable pendant or solid pendant and attach fixture joiner brackets to pendants.



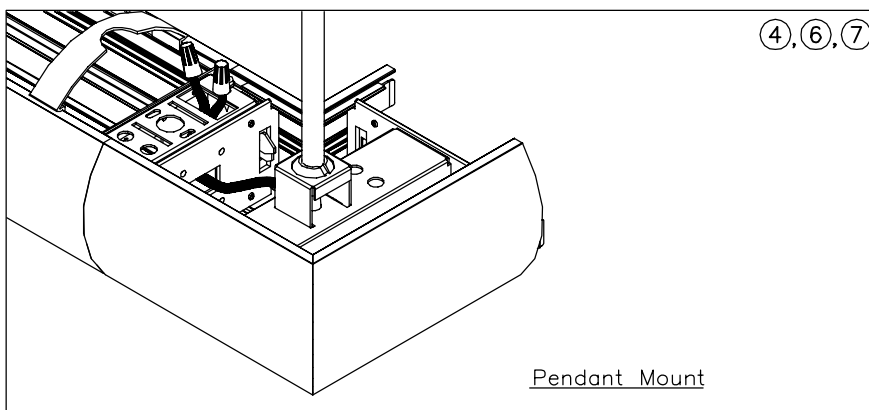
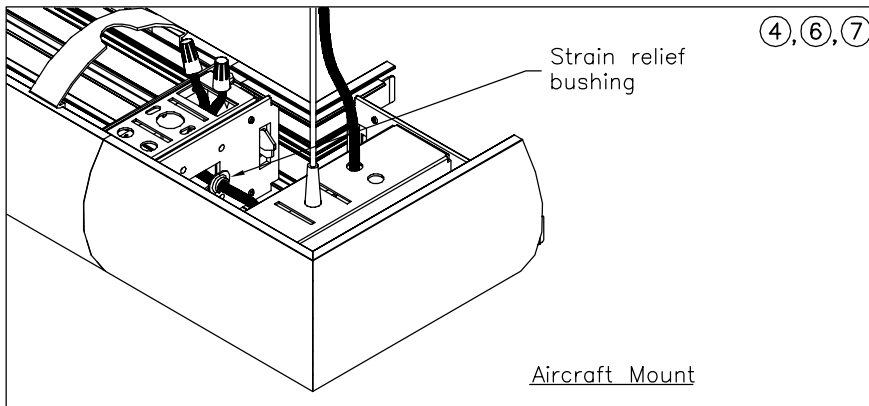
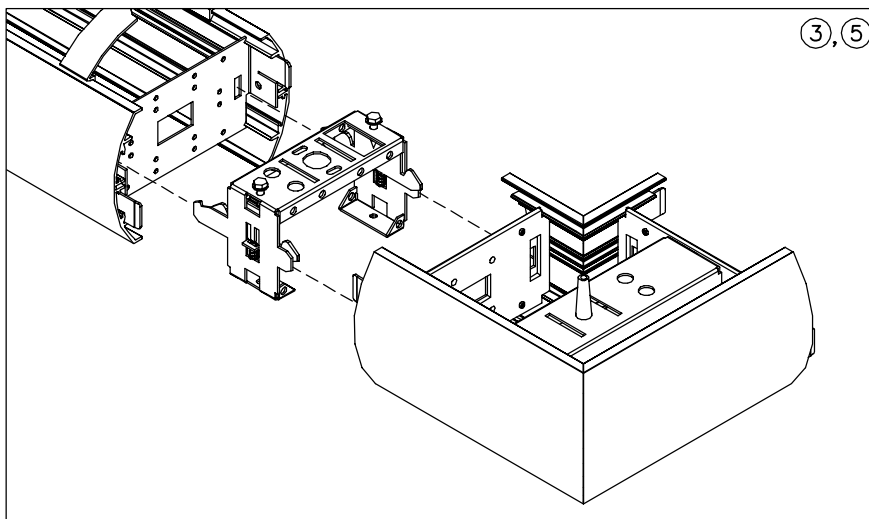
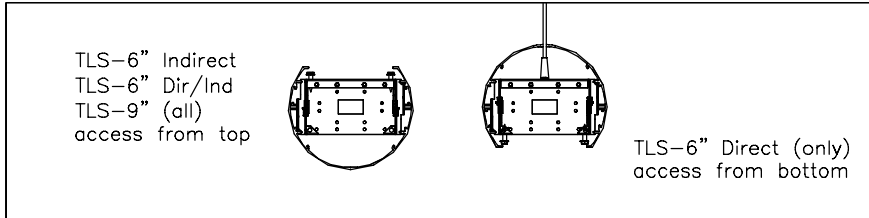
- ③ Slide joiner bracket into fixture end until mount bracket locks into place.
- ④ Pull power wires through opening in top of joiner bracket (except TLS-6" direct luminaire: pull wires down out of way of bracket.)
- ⑤ Raise next fixture, push wires through joiner bracket (pull wires down for TLS-6"), and slide onto joiner bracket until fixture locks into place.
- ⑥ Tighten joiner bracket screws using a 5/16" nut driver.
- ⑦ Connect wiring and ensure that all connections are properly matched and tucked back into joiner bracket.
- ⑧ Slide top and/or bottom cover back to end of fixture.
- ⑨ Make final side/side and up/down adjustment.

ATTENTION
 INSTALL IN ACCORDANCE TO NATIONAL AND LOCAL ELECTRICAL CODES AND BUILDING CODES.

Installation Instructions

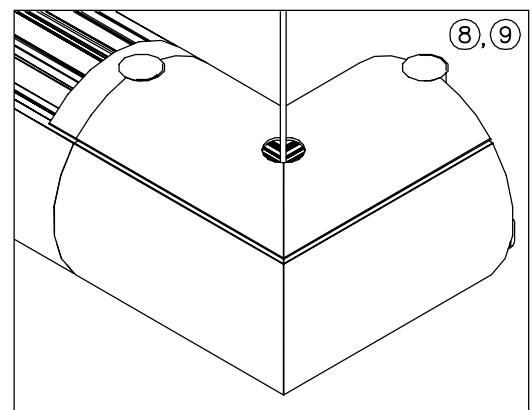
These instructions are applicable to TLS-6" and TLS-9"

- ① Install ceiling components. (See supplied "Mounting Installation" instructions.)
- ② Install vertical aircraft cable pendant or solid pendant.



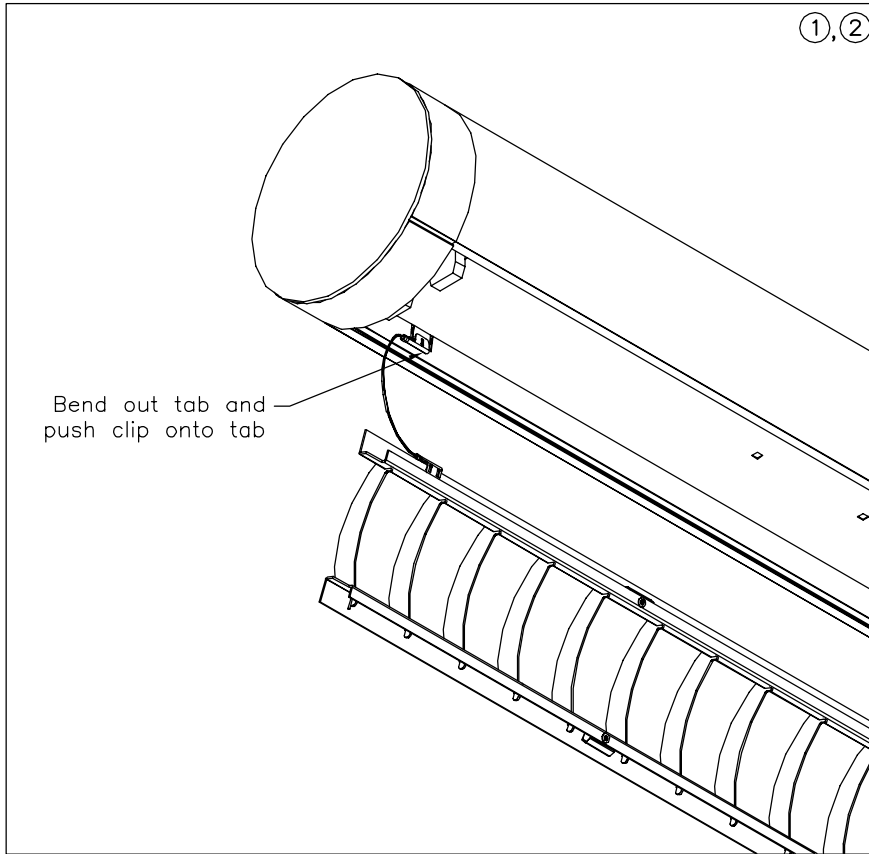
- ③ Slide joiner bracket into fixture end until mount bracket locks into place.
 - ④ Pull power wires through opening in top of joiner bracket (except TLS-6" direct luminaire: pull wires down out of way of bracket.)
 - ⑤ Push corner onto exposed part of joiner bracket until it locks in place. Tighten joiner bracket screws with 5/16" nut driver.
 - ⑥ Raise fixture with attached corner up to installed level. Insert aircraft cable/solid pendant into corner mounting bracket. Attach fixture at opposite end and tighten joiner bracket with 5/16" nut driver.
 - ⑦ **FOR POWER CONNECTIONS:**
 Feed electrical cord through hole in corner cover and pull cord through corner mounting bracket. Attach strain relief bushing (or tie knot in cord) and make appropriate power connections.
- NOTE: Solid pendant power is fed through pendant pipe into joiner bracket.
- ⑧ Push wires back into joiner bracket and slide top and/or bottom covers into place.
 - ⑨ Install supplied plugs into holes in ends of corner.

ATTENTION
 INSTALL IN ACCORDANCE TO NATIONAL AND LOCAL ELECTRICAL CODES AND BUILDING CODES.



Installation Instructions

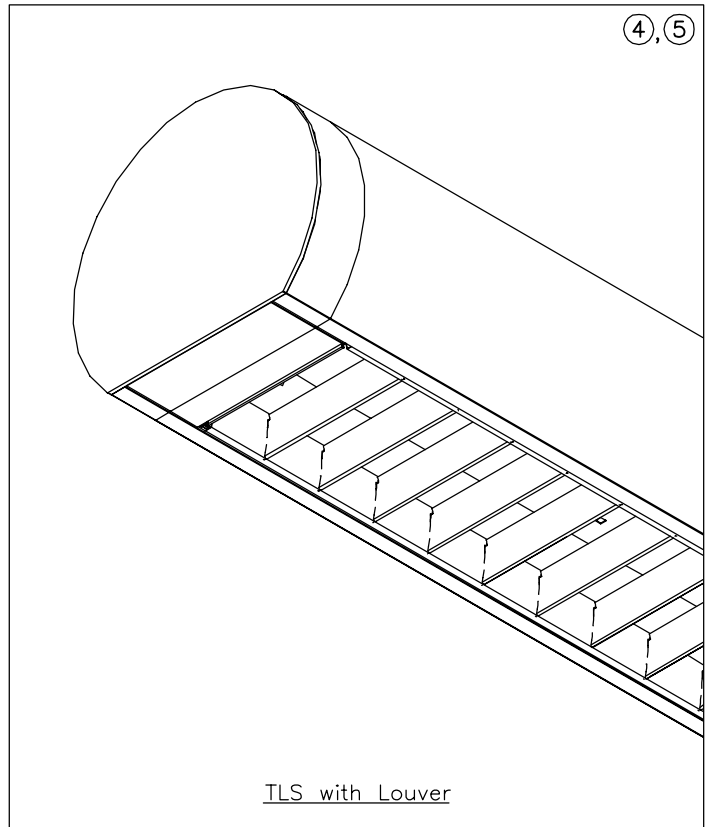
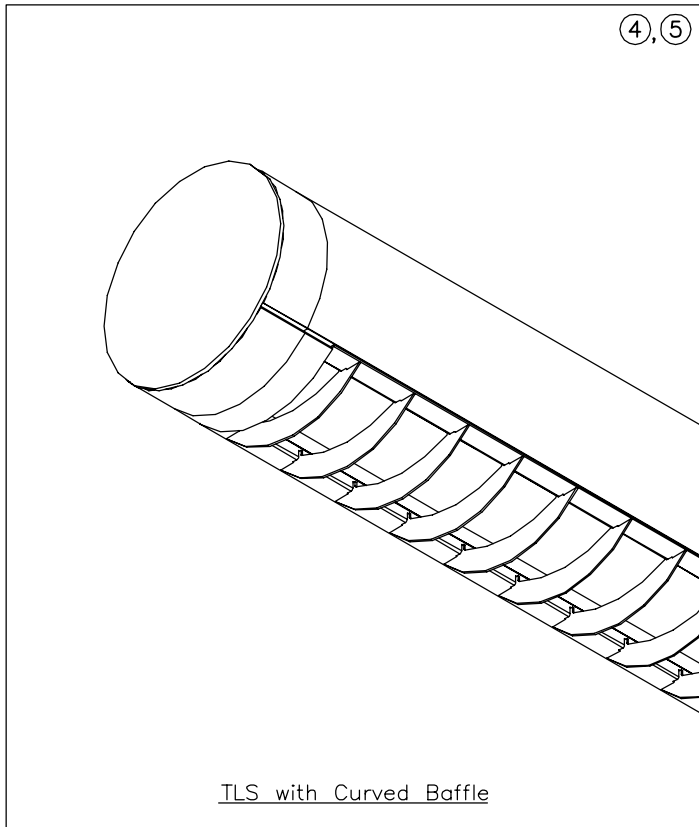
These instructions are applicable to TLS with curved baffle or louver

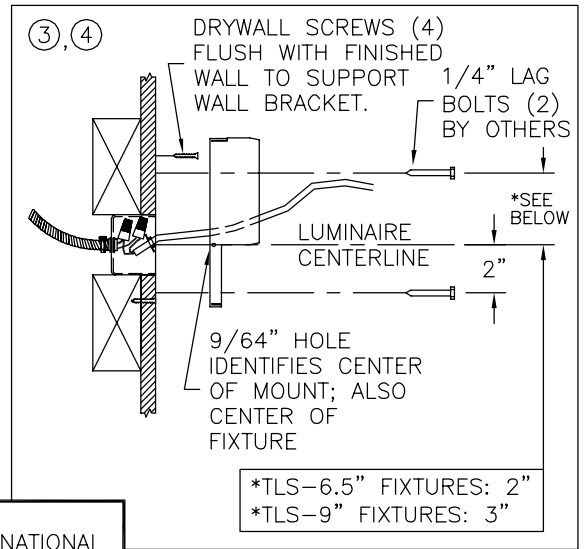
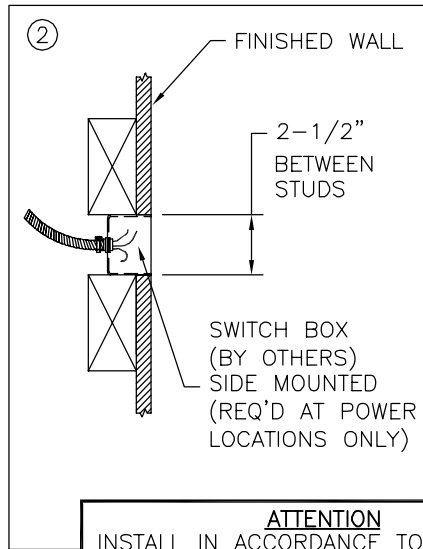
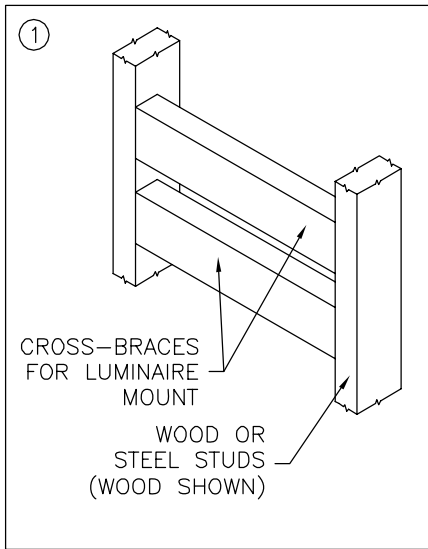


①,②

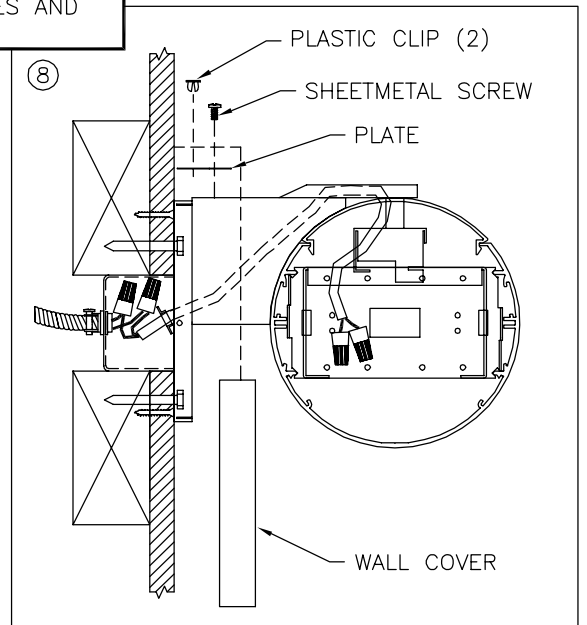
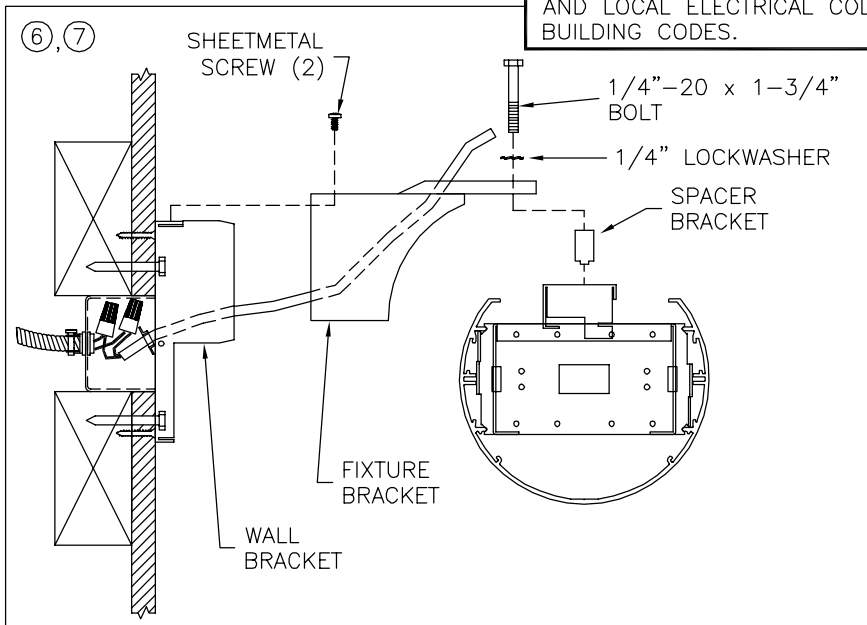
- ① Using flat screwdriver, bend out tab at each end of reflector.
- ② Push clip which is attached to safety cable on curved baffle/louder onto tab at each end of reflector. Curved baffle/louder should be able to hang freely.
- ③ Install lamps in fixture.
- ④ Install curved baffle/louder in fixture.
- ⑤ Ensure safety cable is not visible through curved baffle/louder.

ATTENTION
 INSTALL IN ACCORDANCE TO NATIONAL AND LOCAL ELECTRICAL CODES AND BUILDING CODES.





ATTENTION
INSTALL IN ACCORDANCE TO NATIONAL AND LOCAL ELECTRICAL CODES AND BUILDING CODES.



INSTALLATION INSTRUCTIONS

- ① Install two cross braces between studs at mounting location, as specified on application drawings. Leave gap of 2-1/2" between braces to accommodate standard switch box mounted sideways. Gap and switch box is only required at power locations.
- ② **POWER LOCATIONS ONLY**
Install a sideways mounted switch box flush with finished wall. Connect power supply to switch box.
- ③ Screw four drywall screws (min. 1-1/2" long) into wall located just above bottom and just below top edges of wall bracket. The drywall screws will support the wall bracket off of the drywall, to prevent any crushing of the finished wall.
- ④ Secure wall bracket to the wall using two 1/4"x2" or 1/4"x2-1/2" lag bolts into the wood bracing (pre-drilling of holes is recommended). Ensure the vertical position of the wall bracket is accurate (there is no up-down adjustment provided at the fixture).
- ⑤ After installation of wall brackets, check distance between each one. Distance should match fixture length within 1/16". Adjust distance if necessary by loosening lag bolts and moving bracket within slots provided.
- ⑥ Slide fixture bracket overtop of wall bracket, adjust distance from wall as necessary, and secure with two #8 x 5/16" screws provided.
- ⑦ Raise fixture to wall/fixture brackets and attach with 1/4"-20 x 1-3/4" bolt, lockwasher and spacer bracket.
- ⑧ Make required electrical connections and install covers. Wall cover is attached by screwing down plate & attaching with plastic clips (2).