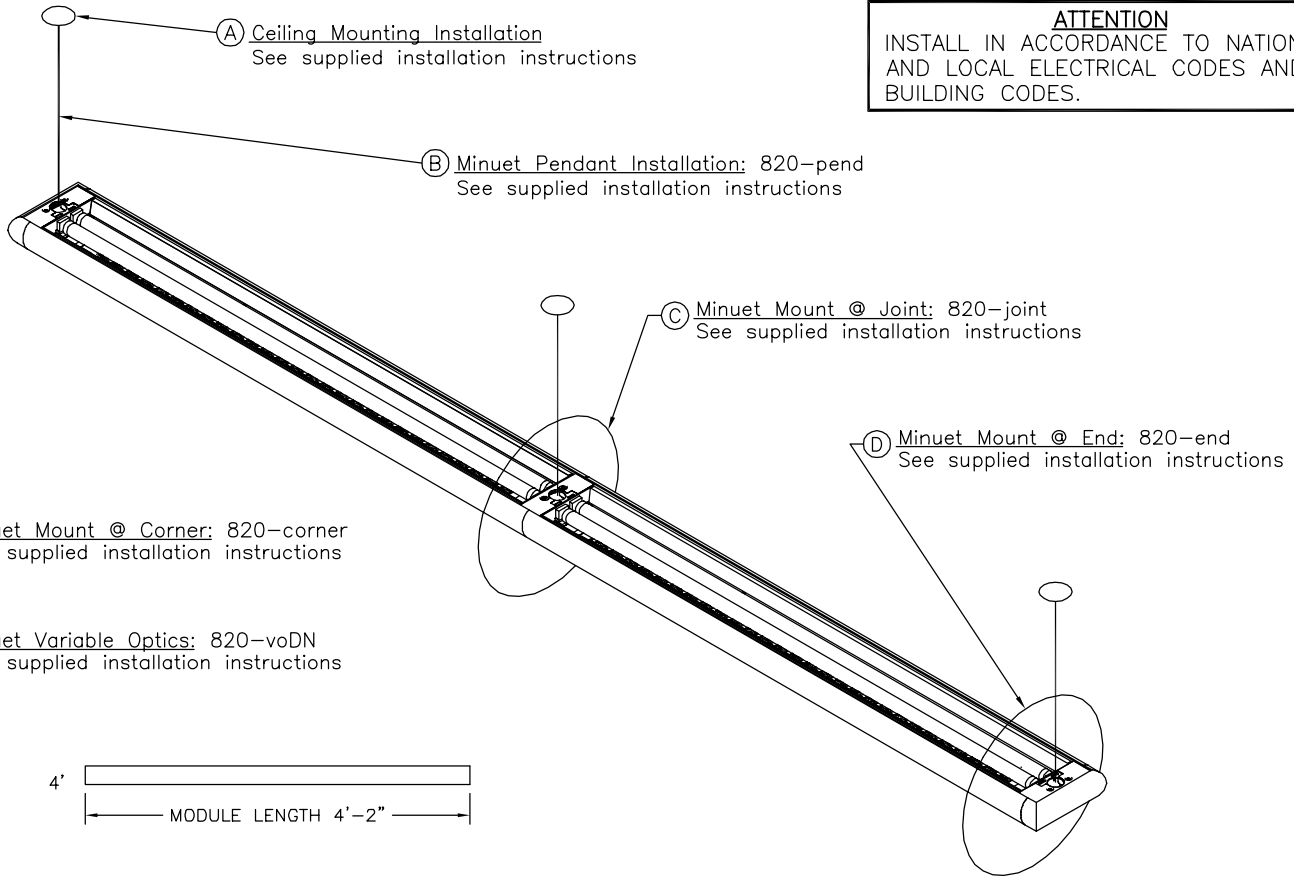


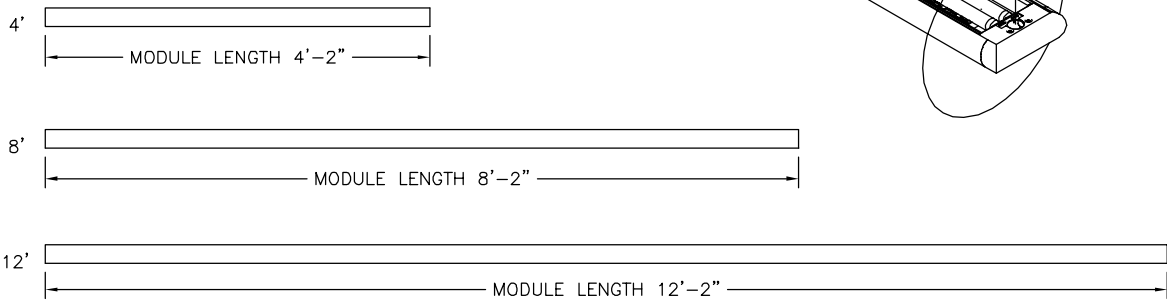
Installation Instructions

- ① Read All Installation Instructions Before Installing Fixtures.
- ② Layout boxed fixtures on floor in desired mounting locations. Remove fixtures from boxes but keep the protective plastic on during installation.
- ③ General installation sequence:
 - Ⓐ Install ceiling mounting kits (see below).
 - Ⓑ Hang aircraft pendants or solid pendants and attach fixture mounting brackets (see below).
 - Ⓒ Ensure that mounting system components have been installed correctly by temporarily applying a 25 lb. point load to each mounting bracket location.
 - Ⓓ & Ⓔ Attach fixtures to mounting brackets at joints and ends (see below).

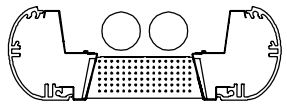
ATTENTION
 INSTALL IN ACCORDANCE TO NATIONAL
 AND LOCAL ELECTRICAL CODES AND
 BUILDING CODES.



- Ⓔ Minuet Mount @ Corner: 820-corner
See supplied installation instructions
- Ⓕ Minuet Variable Optics: 820-voDN
See supplied installation instructions



Overall Fixture Lengths



Cross Section

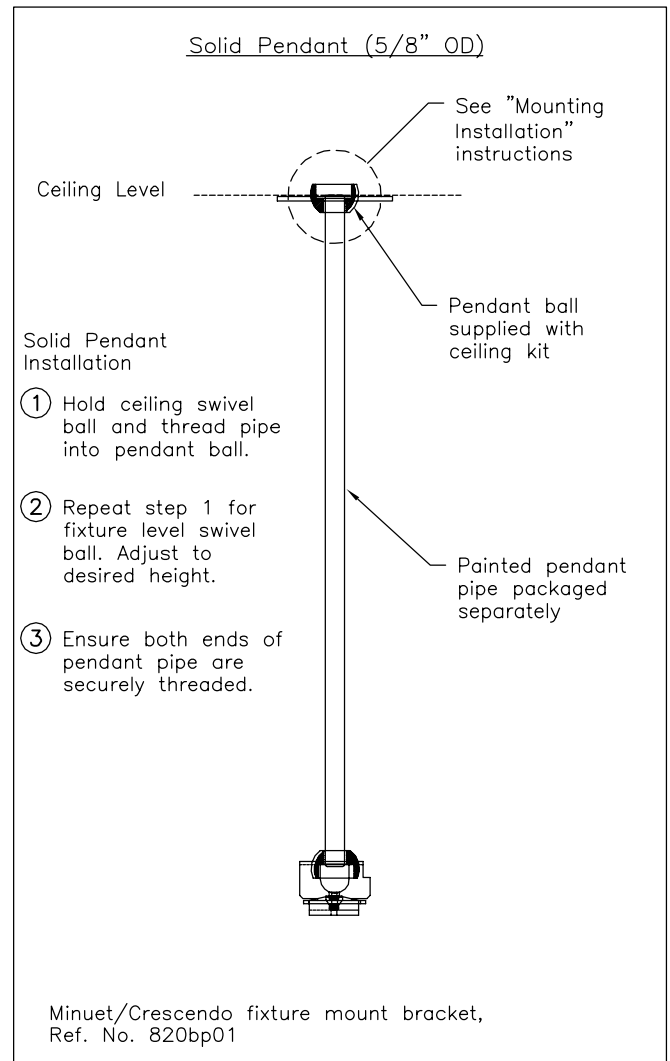
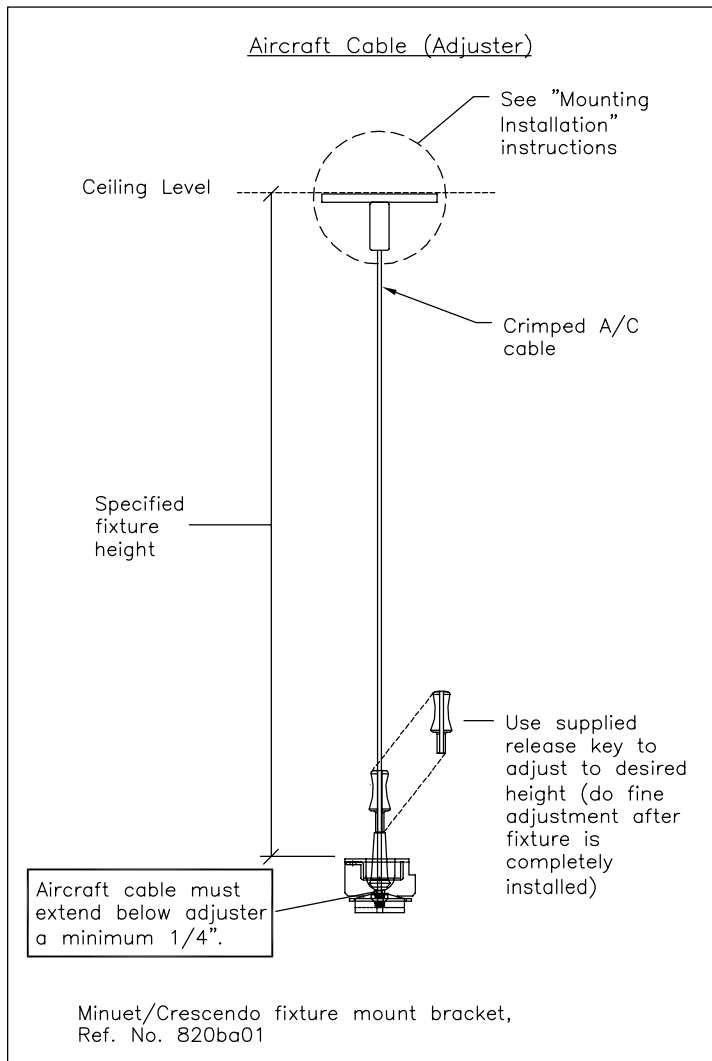
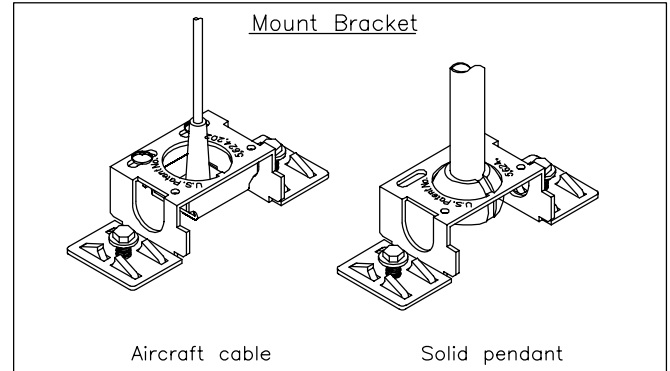
Installation Instructions

- ① Install ceiling components. (See supplied "Mounting Installation" instructions.)
- ② Install vertical aircraft cable and/or solid pendant.
- ③ Attach fixture mount to pendant as shown below. (Refer to supplied "Mount @ End" and "Mount @ Joint" installation instructions.)
- ④ To ensure all mounting system components have been installed correctly, temporarily apply a 25 lb. point load to each mounting bracket location.

ATTENTION: AIRCRAFT CABLE ADJUSTER

To ensure quick and easy installation when using the aircraft adjusters follow these simple steps:

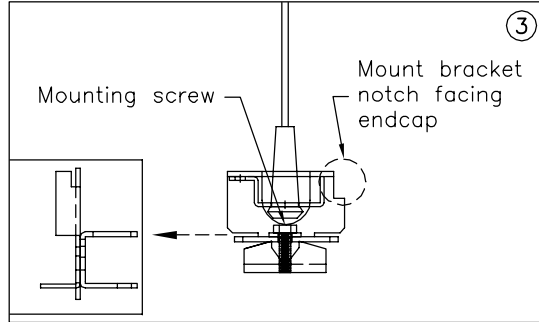
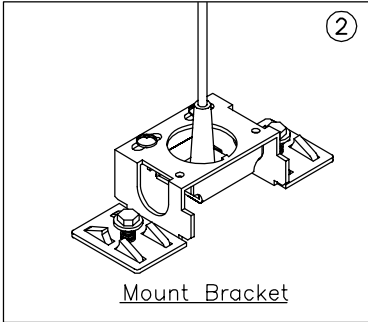
1. Be sure to cut cable ends cleanly prior to inserting into adjuster. Recommended cutters, H.K. Porter cable cutter cat. No. 0690TN or Klein all purpose shears cat. No. 1104.
2. Carefully insert cable straight into tapered end.
3. DO NOT FORCE CABLE INTO ADJUSTER. If cable does not insert easily or becomes jammed during insertion, use the release tool provided to remove cable, trim end again and repeat process. DO NOT ALLOW CABLE TO BEND BELOW BOTTOM OF ADJUSTER.
4. Once cable is inserted in position, apply a 25 lb. point load to each mount bracket to ensure all connections are secure.



ATTENTION
 INSTALL IN ACCORDANCE TO NATIONAL AND LOCAL ELECTRICAL CODES AND BUILDING CODES.

- ① Install ceiling components. (See "Mounting Installation" instructions.)
- ② Install vertical aircraft cable pendant or solid pendant and attach to fixture mount brackets. (See "Minuet Pendant Installation" instructions.)
- ③ Slide mount bracket into fixture ends oriented as shown in Fig. ③ until mount bracket locks into place.
- ④ If joiner aligners are supplied, slide into extrusion as shown and tap in until slightly less than 1/2 is exposed.

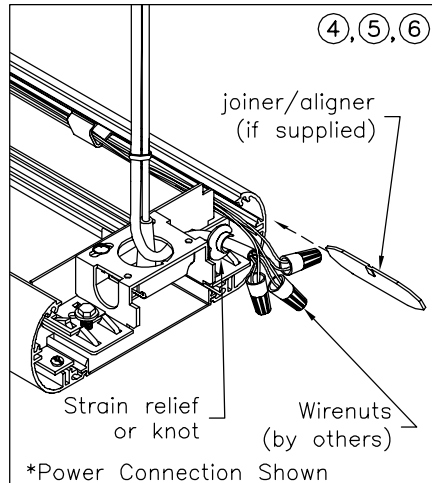
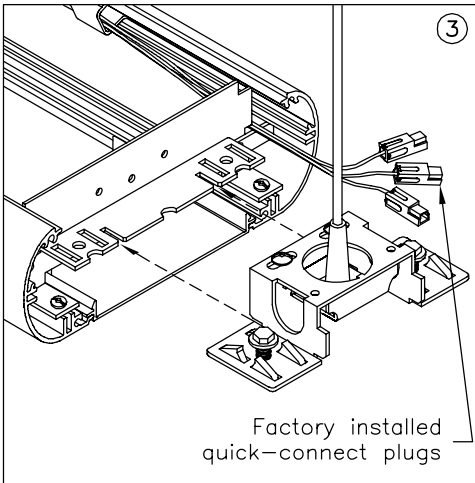
- For Power Connections
- ⑤ Feed electrical cord through top of mount bracket and into wiring cavity. Attach strain relief (knot in cord is acceptable).
Note: Solid pendant pipe detail not shown. Feed power wire through pipe and into wiring cavity.
 - ⑥ Remove factory installed quick connect plugs and make appropriate power connections using wirenuts (supplied by others).



- Fixtures With Plastic Endcaps
- ⑦a Power mount: tuck wire connections behind crossplate, install wire barrier and secure with screw.
 - ⑦b Non-power mount: tuck through-wires behind crossplate, install wire barrier and secure with screw.

IMPORTANT: PLASTIC ENDCAPS

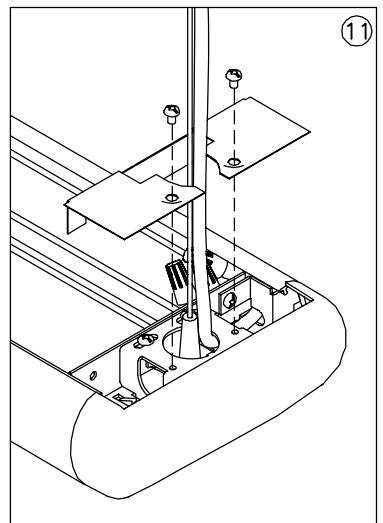
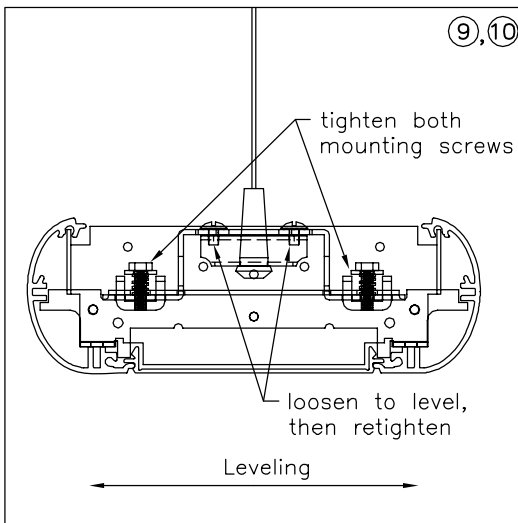
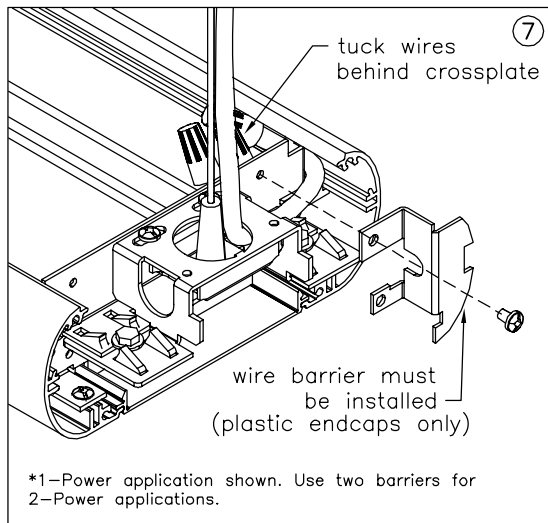
ALL WIRES MUST BE TUCKED INTO FIXTURE AND COVERED WITH BARRIER. DO NOT LEAVE WIRES IN ENDCAP.



- ⑧ Slide endcap onto exposed part of mount bracket until endcap locks into place.
- ⑨ Tighten mounting screws for final adjustment, using a 5/16" nut driver.
- ⑩ If necessary, loosen top mount bracket screws to make leveling adjustments and then retighten screws.
- ⑪ Place wire access cover on top of mounting bracket and secure with supplied screws.

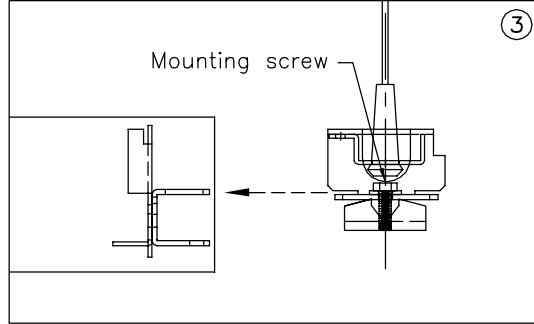
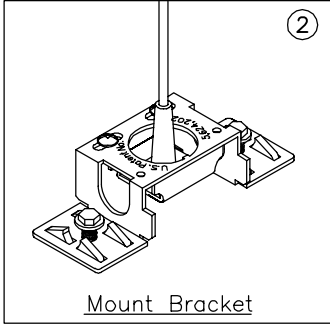
ATTENTION

INSTALL IN ACCORDANCE TO NATIONAL AND LOCAL ELECTRICAL CODES AND BUILDING CODES.

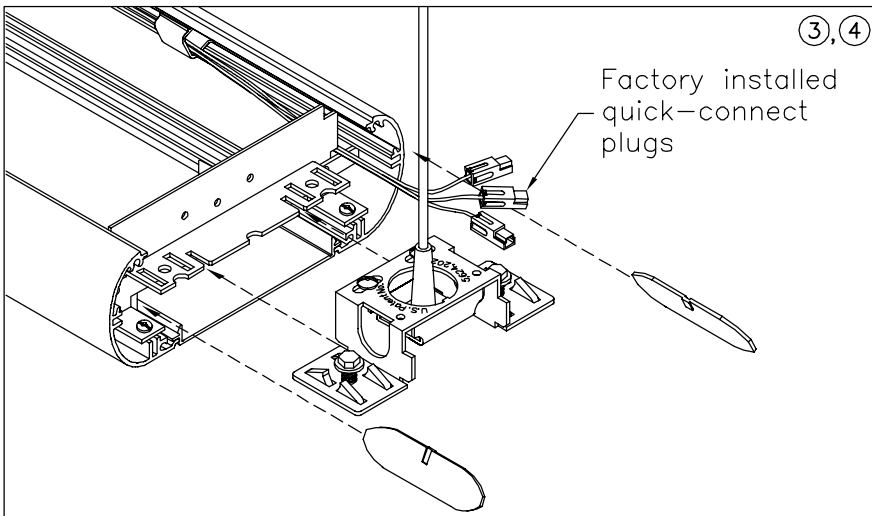


Installation Instructions

- ① Install ceiling components. (See supplied "Mounting Installation" instructions.)
- ② Install vertical aircraft cable pendant or solid pendant and attach to fixture mount brackets. (See supplied "Crescendo Pendant Installation" instructions.)

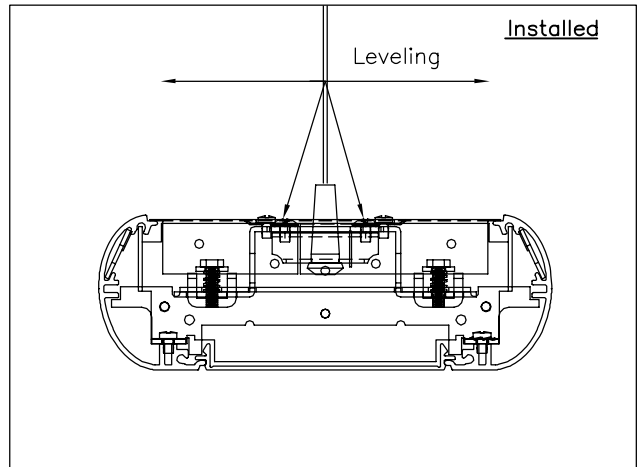
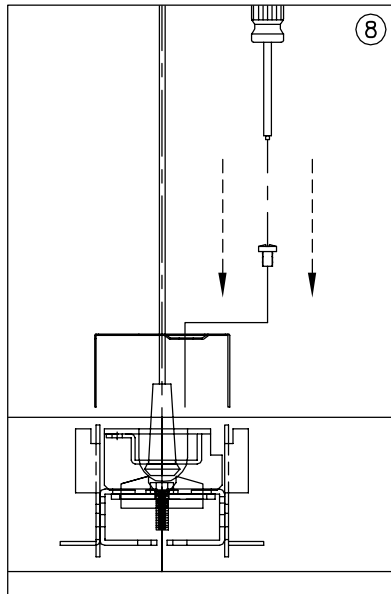
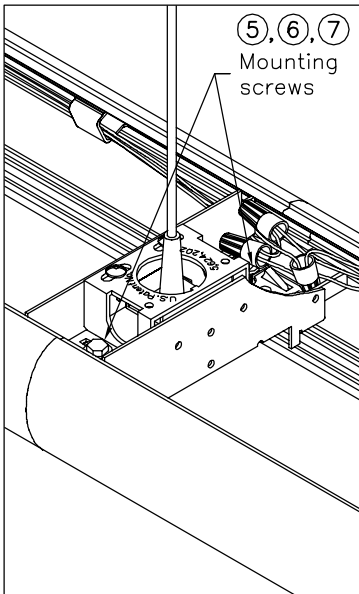


- ③ Slide mount bracket into fixture ends until mount bracket locks into place.
- ④ Slide joiner aligners into extrusion with the dimples facing into the fixture, as shown, until 1/2 of aligner is exposed.
- ⑤ Raise next fixture and slide onto exposed part of mount bracket until fixture locks in place.



- ⑥ Tighten mounting screws for final adjustment, using a 5/16" nut driver.
- ⑦ Connect wiring and ensure that all connections are properly matched and tucked into wiring cavity.
- ⑧ Place wire access cover to top of mounting bracket and secure with supplied screws.

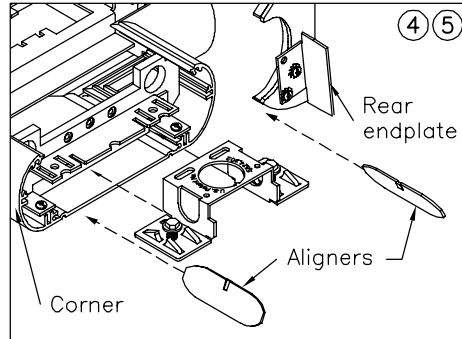
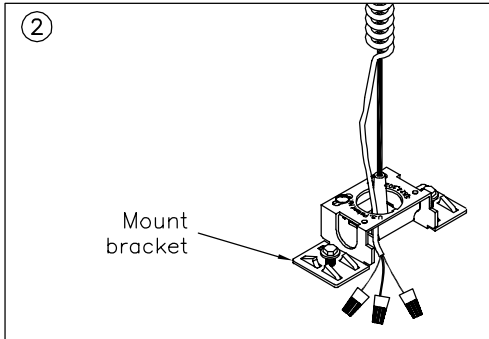
ATTENTION
 INSTALL IN ACCORDANCE TO NATIONAL AND LOCAL ELECTRICAL CODES AND BUILDING CODES.



Installation Instructions

- ① Install ceiling components if applicable. (see supplied "Mounting Installation" instructions).
- ② Install vertical aircraft cable pendant or solid pendant and attach to fixture mount brackets (see supplied "Minuet Pendant Installation" instructions), if applicable.
- ③ Install wall mounting components (see supplied "Wall Bracket" And "Fixture Leveling" instructions), if applicable.

Note: in most cases it is best to attach corners to fixture sections before hanging.

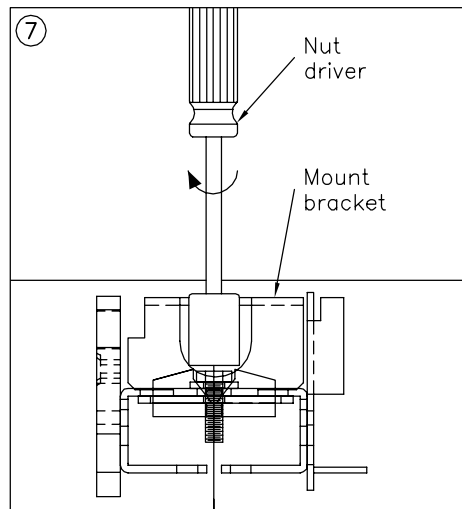


- ④ Slide aligners into corner (as shown), with the dimples facing into the fixture, until 1/2 of aligner is exposed.

- ⑤ **Note:** for wall mount only. Slide rear endplate into extrusion until gasket is flush.

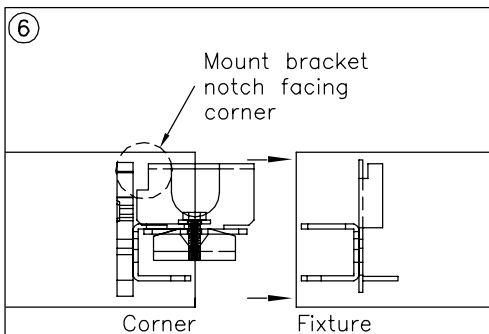
- ⑥ Slide mount bracket into corner until mount bracket locks into place as shown. Attach corner to straight section.

ATTENTION
INSTALL IN ACCORDANCE TO NATIONAL AND LOCAL ELECTRICAL CODES AND BUILDING CODES.



- ⑦ Tighten mounting screws for final adjustment, using a 5/16" nut driver.

- ⑧ Repeat steps 4 through 7 for any remaining fixtures.



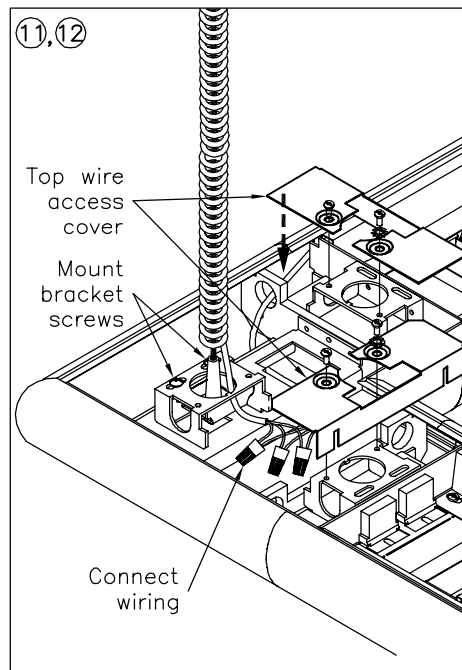
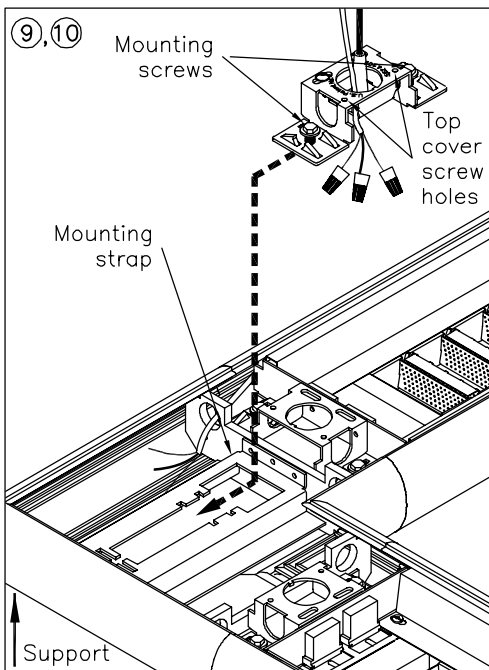
- ⑨ Raise fixture and attach mount (from step 2) to corner by sliding mount bracket into the corner mounting strap until it locks into place and tighten 5/16" hex head bolts.

- ⑩ Attach mount bracket at other end. (see supplied "Mount @ End" and "Mount @ Joint" installation instructions).

UNATTACHED

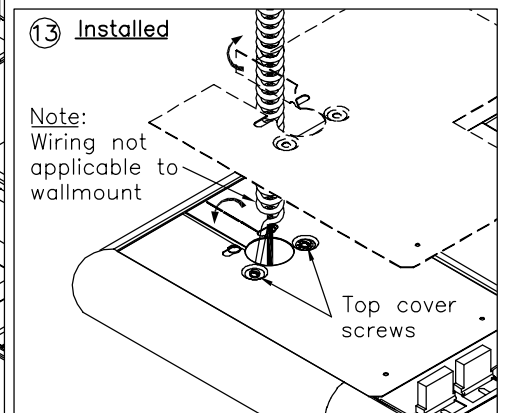
ATTACHED

- ⑪ Connect wiring, making sure that all connections are properly routed and matched.



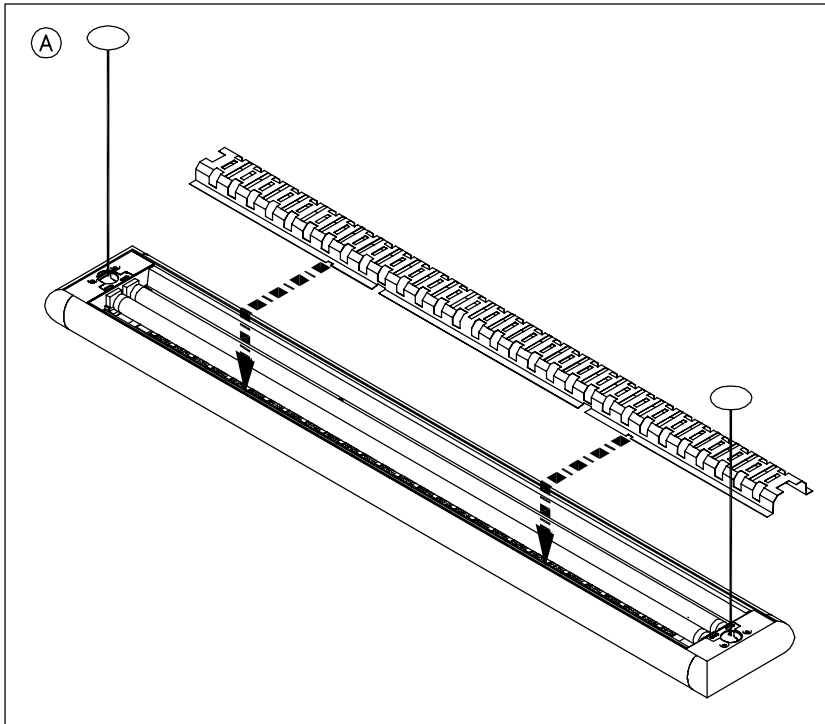
- ⑫ **Note:** for Minuet Indirect configuration only. Install top wire access covers as shown before corner top cover.

- ⑬ Fold corner cover tab up and slide around pendant (if applicable). Secure corner top cover to top of mounting bracket using the supplied screws.



Downlight Installation Instructions

- ① Install Fixtures as per Installation Instructions.
- Ⓐ & Ⓑ Install variable optic reflector by securing between clips in top reflector.



ATTENTION
 INSTALL IN ACCORDANCE TO NATIONAL
 AND LOCAL ELECTRICAL CODES AND
 BUILDING CODES.

