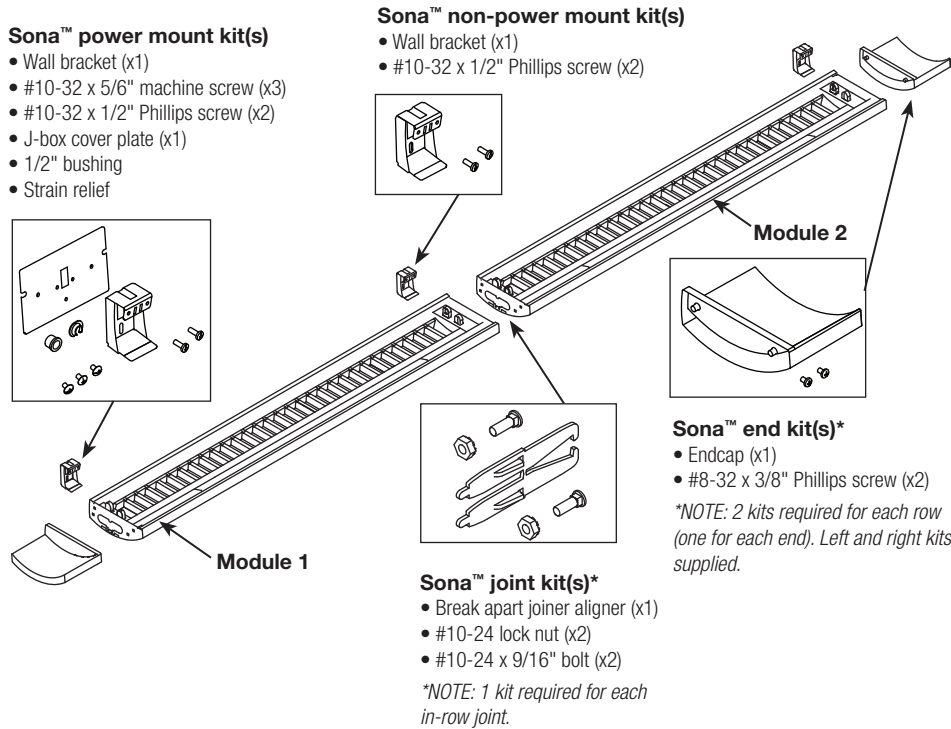


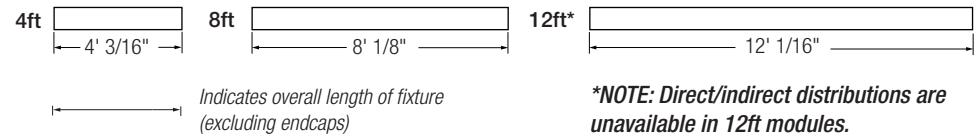
System Overview

These instructions review how to install Sona wall mount fixtures. Sona 4/8/12ft* modules can be installed as individual standalone units, or they can be joined together to create continuous rows. The graphic below shows the components required to install a typical row of Sona wall mount fixtures. ***NOTE: Direct/indirect distributions are unavailable in 12ft modules.**



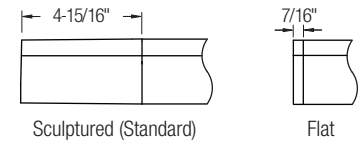
Module Lengths

Sona wall mount systems come in 4, 8 and 12ft modules. Overall module lengths are shown below. Module lengths do not include endcaps.



Endcaps

Add two endcaps to the length of each row. The standard Sona endcap is sculptured. There is also a flat endcap option.



Mount Spacing

- Variable wall mount brackets can be positioned within 6" of the fixture end or joint.
- Minimum one mount per fixture end and joint

Row Configurations

The table below indicates how nominal 8ft and 12ft* modules can be combined to create continuous rows of various lengths. Modules can be combined in any order.

Table A - Semi-Indirect Distributions

| Nominal Row Length | Number of Modules Required * | | Installed Row Length <i>(not including endcaps)</i> |
|--------------------|------------------------------|-----|--|
| | 8' | 12' | |
| 16' | 2x | | 16'-1/4" |
| 20' | 1x | 1x | 20'-3/16" |
| 24' | | 2x | 24'-1/8" |
| 28' | 2x | 1x | 28'-5/16" |
| 32' | 1x | 2x | 32'-1/4" |
| 36' | | 3x | 36'-3/16" |
| 40' | 2x | 2x | 40'-3/8" |
| 44' | 1x | 3x | 44'-5/16" |
| 48' | | 4x | 48'-1/4" |
| 52' | 2x | 3x | 52'-7/16" |
| 56' | 1x | 4x | 56'-3/8" |

Table B - Direct/Indirect Distributions

| Nominal Row Length | Number of Modules Required | | Installed Row Length <i>(not including endcaps)</i> |
|--------------------|----------------------------|----|--|
| | 4' | 8' | |
| 16' | | 2x | 16'-1/4" |
| 20' | 1x | 2x | 20'-7/16" |
| 24' | | 3x | 24'-3/8" |
| 28' | 1x | 3x | 28'-9/16" |
| 32' | | 4x | 32'-1/2" |
| 36' | 1x | 4x | 36'-11/16" |
| 40' | | 5x | 40'-5/8" |
| 44' | 1x | 5x | 44'-13/16" |
| 48' | | 6x | 48'-3/4" |
| 52' | 1x | 6x | 52'-15/16" |
| 56' | | 7x | 56'-7/8" |

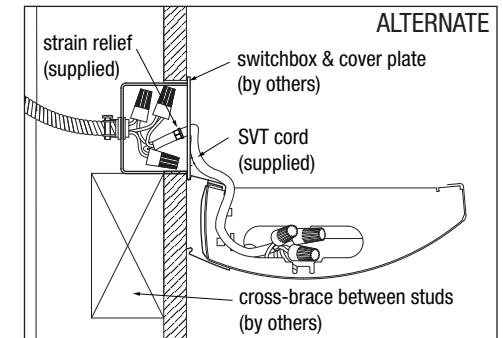
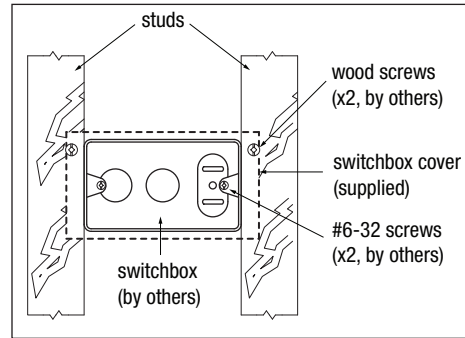
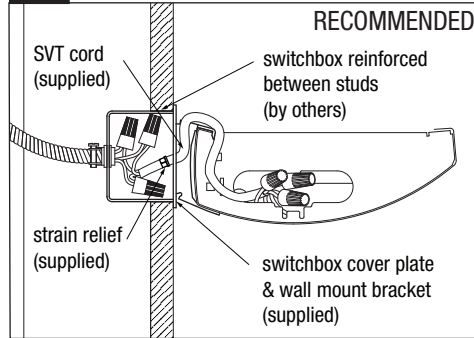
** Note: Direct/indirect distributions are unavailable in 12ft modules. See Table B for direct/indirect distributions.*

! ATTENTION: Install in accordance with national and local building and electrical codes. Page 1



IMPORTANT: All mount brackets must be secured to wall structure (studs or cross-braces). Wall bracket(s) must be installed within 4" from fixture end(s).

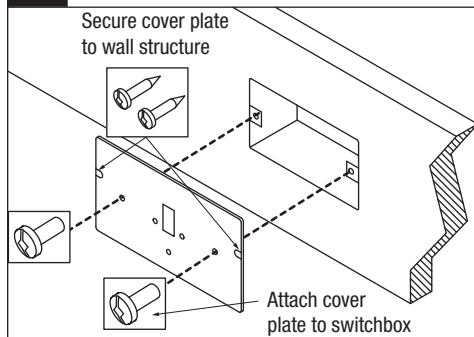
1 Install switchbox and make electrical connections



RECOMMENDED: For best mounting aesthetics, install switchbox flush with finished wall directly behind fixture's specified power location. Install two studs at mounting location. Leave enough gap between studs to accommodate standard switchbox mounted sideways (about 4"). Make electrical connections in switchbox with supplied SVT cord. Secure power cord with supplied strain relief on the switchbox side.

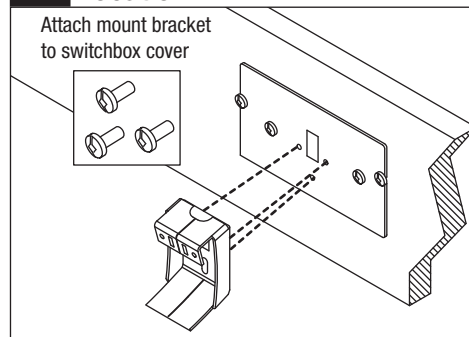
ALTERNATE: Install switchbox as close as possible to fixture's power mount location. Run power cord (supplied) from switchbox to fixture. Crimp strain reliefs (supplied) on cord inside switchbox and fixture-level wire cover. Allow at least 12" of cord outside the wall for connection.

2 Attach switchbox cover plate



Feed SVT cord through hole in supplied switchbox cover plate. Attach cover plate to switchbox with two screws (supplied by others). Secure cover plate to wall structure with two structural screws (supplied by others).

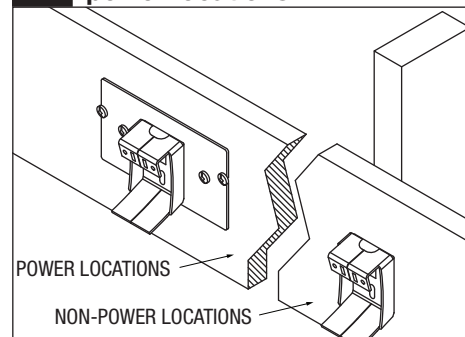
3 Install wall bracket at power location



RECOMMENDED: Attach wall mount bracket to switchbox cover plate with 3 screws (supplied). Leave power cord outside wall for connection.

ALTERNATE: Install wall mount bracket within 4" from fixture end, as close as possible to power supply. Secure bracket to wall structure.

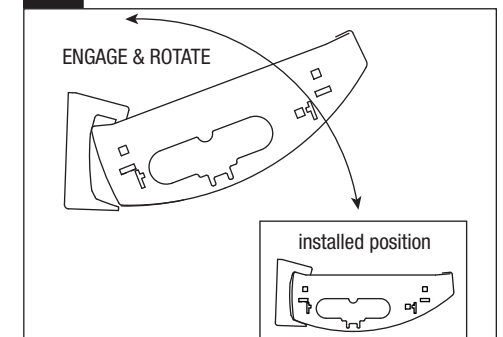
4 Install wall brackets at non-power locations



Install additional wall mount brackets as required for single fixture or continuous rows. **Ensure additional brackets are level with first bracket.**

IMPORTANT: Attach wall mount brackets to wall structure within 4" from ends of fixture.

5 Mount first fixture



Raise first fixture into position and engage it on wall brackets, then rotate it down into position (as shown).

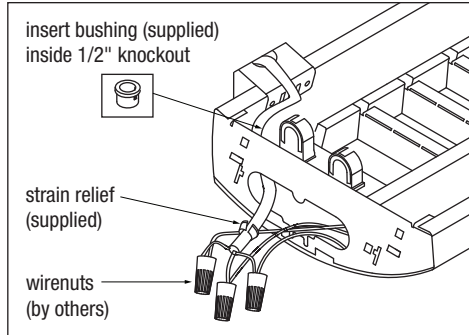


ATTENTION: Install in accordance with national and local building and electrical codes.

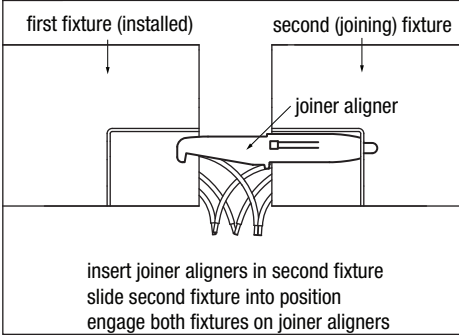
6 Complete electrical connections at end

POWER LOCATION (shown right): Break 1/2" knock-outs in reflector pan and insert supplied bushing. Install strain relief under reflector to secure power cord. Remove installed quick-connect plugs and complete electrical connections using wirenuts (supplied by others). Tuck wires into wiring cavity. **NON-POWER LOCATIONS:** Cap all wires and tuck into wire cavity.

INSTALLING INDIVIDUAL MODULES: Repeat STEP 6 at other end of fixture and then skip to STEP 10.

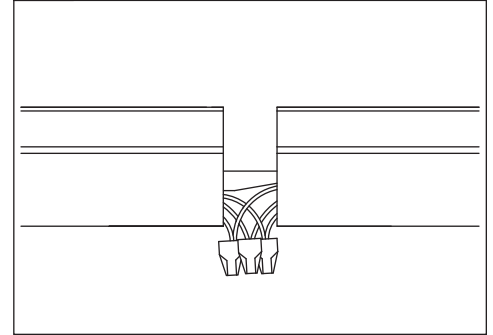


7 Mount second fixture



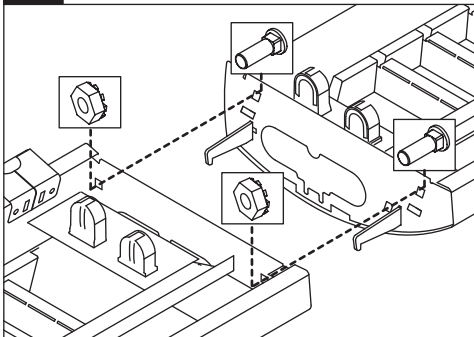
Insert joiner aligners into second (joining) fixture. Raise second fixture into position; at end opposite joint, engage fixture into wall mount bracket (shown in STEP 5). At joint, carefully slide fixture into position so that first and second fixtures are engaged on joiner aligners.

8 Complete electrical connections at joint



Complete electrical connections at joint using supplied quick-wire connectors. Tuck wires into wiring cavity.

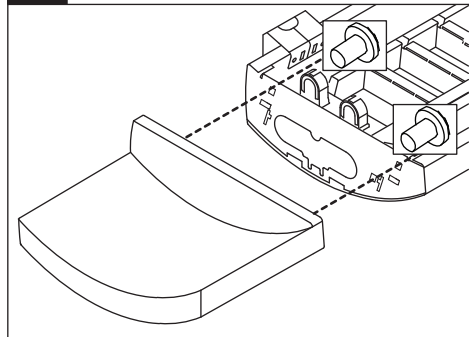
9 Secure joint



Secure joint using supplied nuts and bolts. Ensure star washer side faces against metal plate at end of fixture.

Repeat steps 7 - 9 for each additional fixture in row.

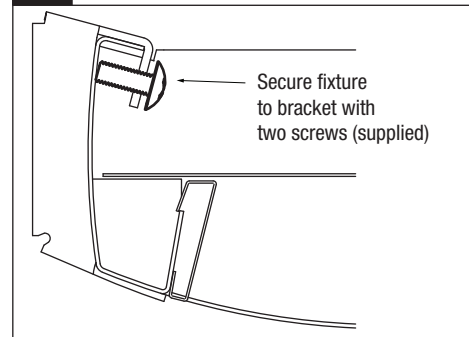
10 Install endcaps



Install endcaps using supplied hardware. NOTE: Two different endcaps supplied (left/right).

IMPORTANT: Ledalite recommends hand-tightening screws or using low torque setting on power tools.

11 Secure components



Secure fixture(s) to wall mount brackets with two screws (supplied, #10-32 x 1/2") at each bracket location.

12 Finishing

Lamp fixtures.

Ensure all components are secure and installed according to code.

! ATTENTION: Install in accordance with national and local building and electrical codes.