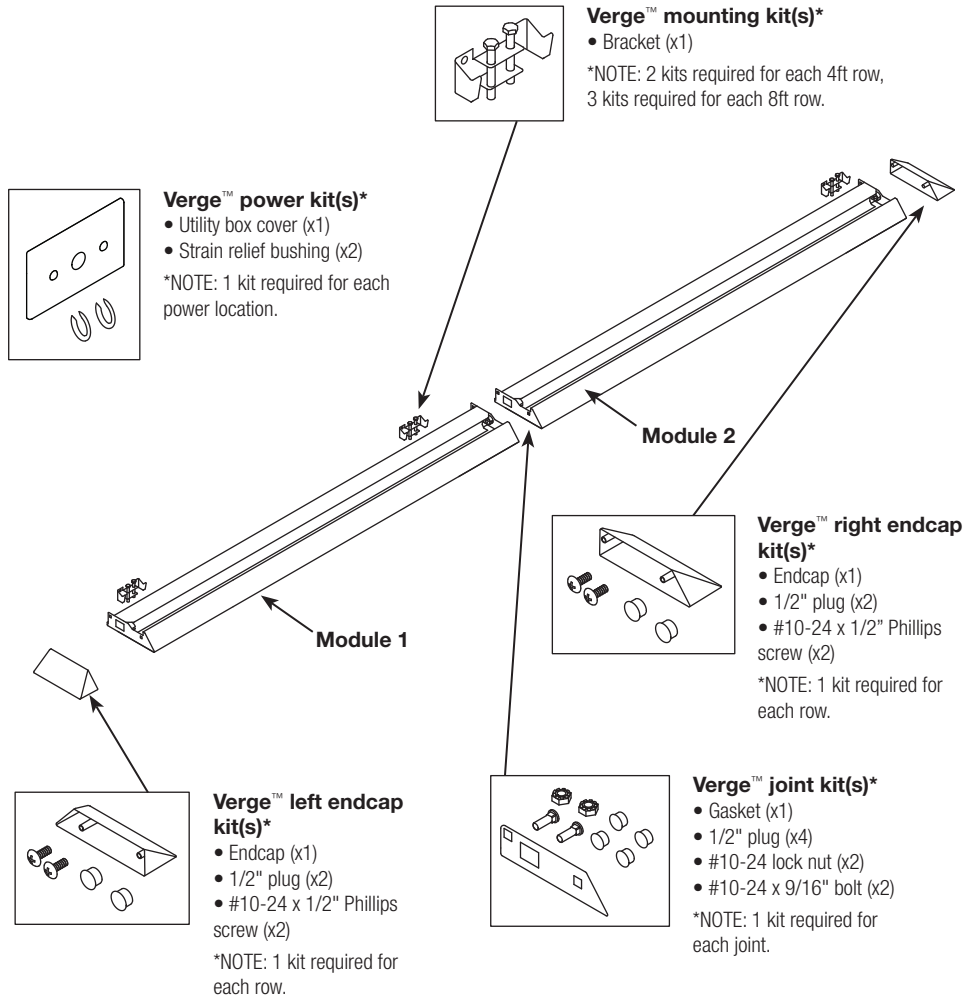


**System Overview**

These instructions review how to install Verge™ wall mount fixtures. Verge™ 4 ft and 8 ft modules can be installed as individual standalone units, or they can be joined together to create continuous rows. The graphic below shows the components required to install a typical row of Verge™ wall mount fixtures.

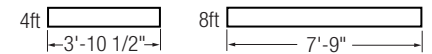


**TOOLS REQUIRED:** Phillips screwdriver, 3/8" nut driver.

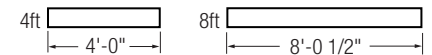
**Module Lengths**

Verge™ wall mount systems come in 4ft and 8ft modules. Overall module lengths are shown to the right. Module lengths do not include endcaps.

**T5/T5HO lamp versions**



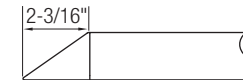
**T8 lamp versions**



Indicates overall length of fixture (excluding endcaps)

**Endcaps**

Add two endcaps to the overall length of each row.



**Mount Spacing**

- Mounts variable within 2" - 5" of end or joint. On 8ft module, additional mount to be located within 2" - 5" of center of module.
- Maximum distance between mounts is 48". Note: Fixture is flush with wall.

**Row Configurations**

The tables below indicate how 4ft and 8ft modules can be combined to create continuous rows of various lengths.

Nominal row length	4ft module	8ft module
4'	1x	
8'		1x
12'	1x	1x
16'		2x
20'	1x	2x
24'		3x
28'	1x	3x
32'		4x

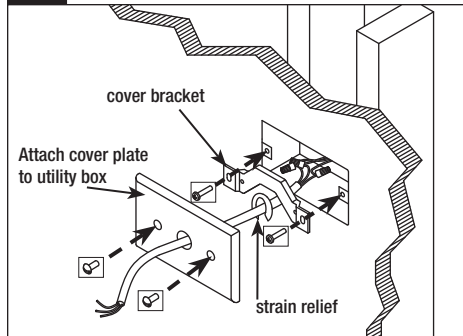
**! ATTENTION: Install in accordance with national and local building and electrical codes.**

!

**IMPORTANT:** Read all instructions at least once prior to beginning installation.

All mount brackets must be secured to wall structure (eg. studs or cross-braces).

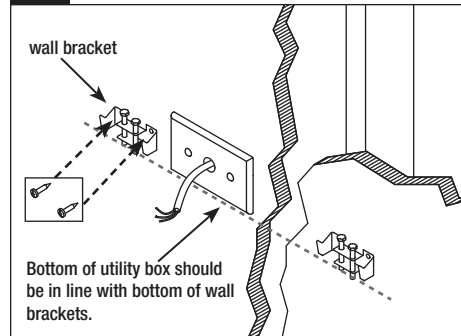
**1** Install utility box and utility box cover



Determine power feed location and install 2"x4" utility box (supplied by others) parallel with fixture. Complete connections at utility box **with supplied power cord**. Attach cover bracket using supplied hardware. Punch power access hole in supplied cover, feed power cord through and attach strain relief on wall side. Attach cover using supplied painted hardware.

*NOTE: Bottom of utility box should be in line with bottom of wall brackets.*

**2** Install wall brackets



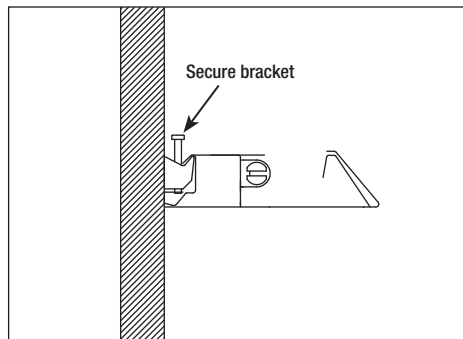
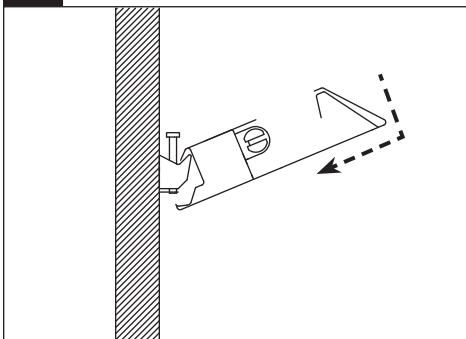
Determine fixture mounting location and secure wall brackets to structure using appropriate fasteners (two per bracket, supplied by others). **4ft fixtures:** Require two bracket assemblies; **8ft fixtures:** Require three bracket assemblies. Brackets must be installed a maximum of 5" from end of fixture (on 8ft fixture, the third bracket can be 5" of either side of inrow crossplate).

*NOTE: Mounted fixture(s) will sit approximately 1/4" above top edge of bracket assembly.*

**3** Unpack / Prepare fixtures

Arrange boxed fixtures on floor in specified locations; remove fixtures from boxes; remove plastic from fixtures. Cap all unnecessary power feed holes at back of fixture(s) using supplied 1/2" plugs.

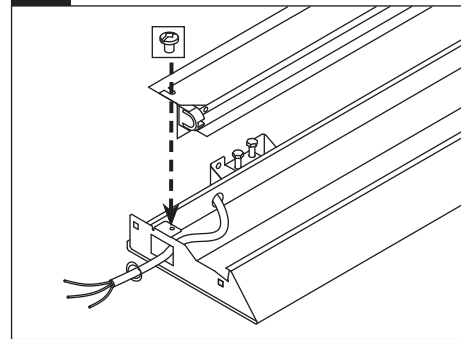
**4** Raise fixture and engage on wall brackets



With 2 people, raise fixture into position and engage it on hooks located on top of wall brackets, then rotate it down into position. Secure bracket using supplied hardware.

**POWER LOCATIONS:** Prior to engaging fixture in mounting brackets, feed installed power cord through the access hole at back of the fixture.

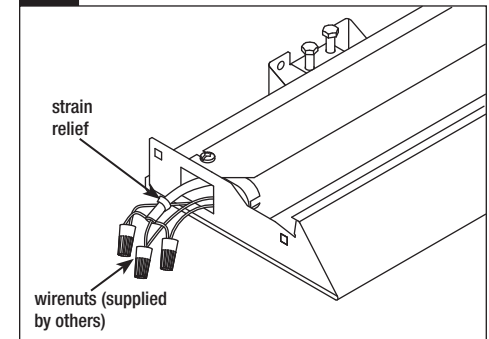
**5** Access wiring / remove reflector



To access wiring, remove screw from top reflector and lift reflector off.

*NOTE: Care should be taken when lifting up top reflector to avoid disconnecting internal wiring.*

**6** Complete electrical connections

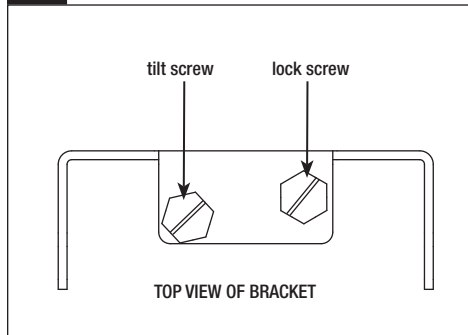


Complete electrical connections using wire nuts (supplied by others). Re-install reflector and hardware removed in STEP 5.

**! ATTENTION: Install in accordance with national and local building and electrical codes.**

Page 2

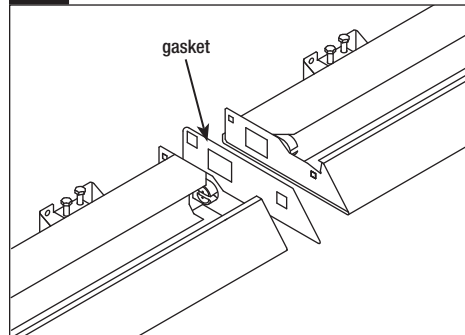
## 7 Level and secure first fixture



**LEVEL:** Using 5/16" hex nut driver, level fixture by adjusting the **tilt** screw.

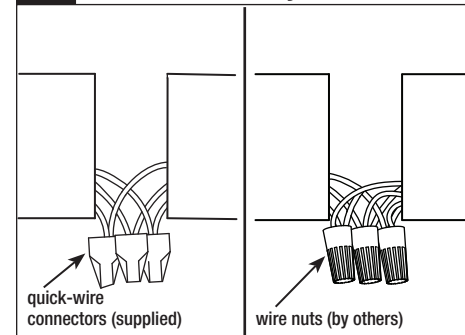
**SECURE:** Secure fixture to wall bracket assemblies by tightening the **lock** screw.

## 8 Install and join additional fixtures to create row



With two people, raise second fixture and engage on mounting brackets (see STEP 4). At joint, remember to insert black gasket.

## 9 Complete electrical connections at joints



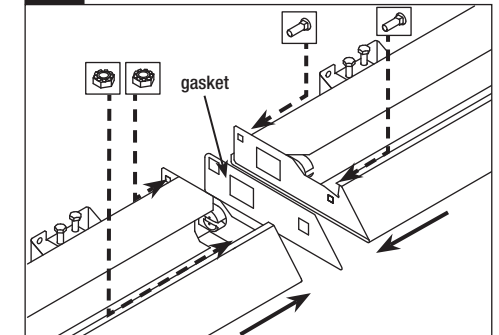
Complete in-row electrical connections.

**NON-POWER LOCATIONS:** Use supplied quick-wire connectors. Tuck wires into wire cavity.

**POWER LOCATIONS:** Remove installed quick-wire connectors and complete electrical connections using wire nuts (supplied by others). Tuck wires into wiring cavity.

*NOTE: Use smallest appropriate wire nuts.*

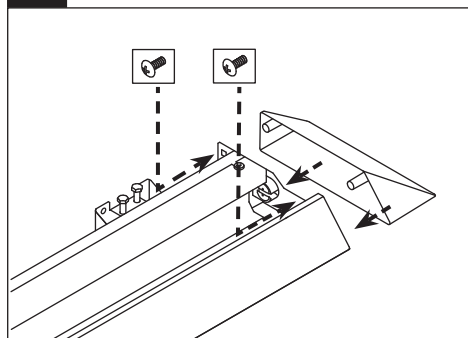
## 10 Level and secure additional fixture



Level second fixture by adjusting the **tilt** screw (see step 7). Slide second fixture flush against first fixture and secure joint using supplied nut and bolt hardware (requires 3/8" nut drivers). Secure fixture to wall brackets by tightening the **lock** screw at each bracket location (see step 7).

Repeat steps 8-10 for each additional fixture(s) in row.

## 11 Install Endcaps



Attach endcap to first and last module in each row using supplied hardware.

**IMPORTANT: Do not over-tighten endcap fasteners. Ledalite recommends tightening fasteners by hand. When fastener is flush with crossplate, turn an additional 1/4 turn.**

## 12 Finishing

Lamp fixtures.

**Secure all components:** Ensure all components are secure and installed according to code.

**! ATTENTION: Install in accordance with national and local building and electrical codes.**

Page 3