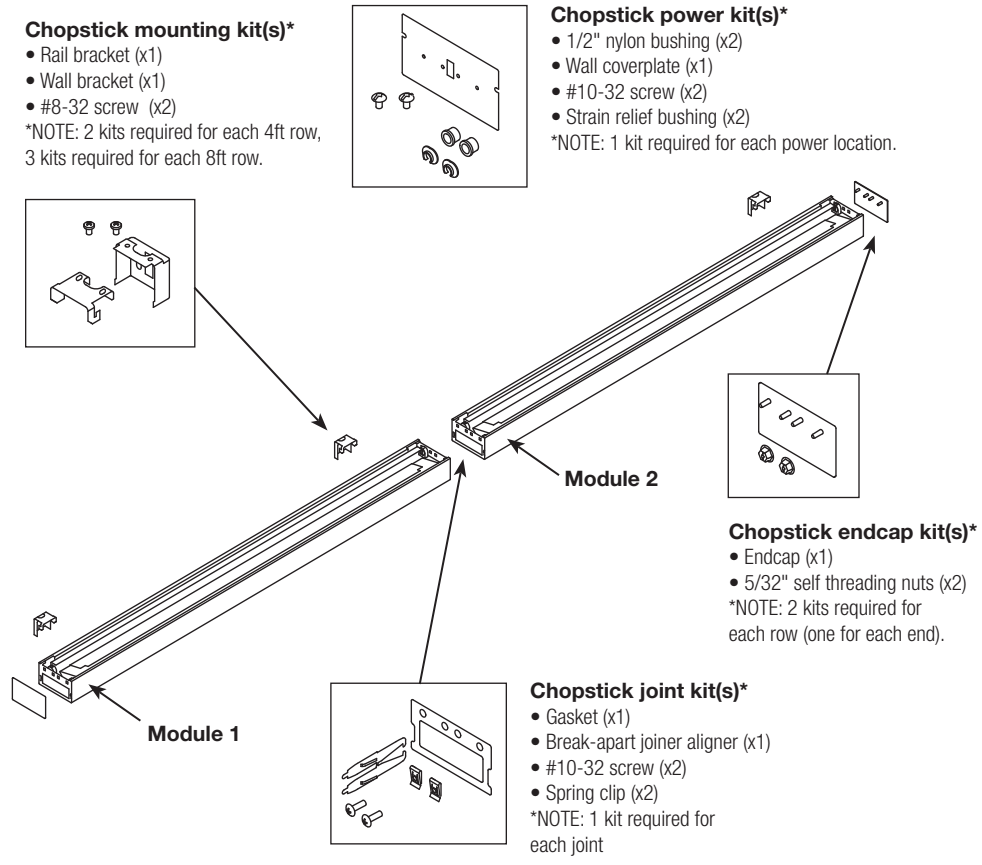


**System Overview**

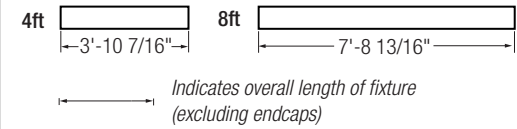
These instructions review how to install Chopstick wall mount fixtures. Chopstick 4 ft and 8 ft modules can be installed as individual standalone units, or they can be joined together to create continuous rows. The graphic below shows the components required to install a typical row of Chopstick wall mount fixtures.



**TOOLS REQUIRED: Phillips screwdriver, 3/8" nut driver.**

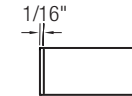
**Module Lengths**

Chopstick wall mount systems come in 4ft and 8ft modules. Overall module lengths are shown below. Module lengths do not include endcaps.



**Endcaps**

Add two endcaps to the length of each row.



**Mount Spacing**

- Mounts variable within 2" - 5" of end or joint. On 8ft module, additional mount to be located within 2" - 5" of center of module.
- Maximum distance between mounts is 48".
- Side-mounted 4" x 2 1/3" J-box (supplied by others)

**Row Configurations**

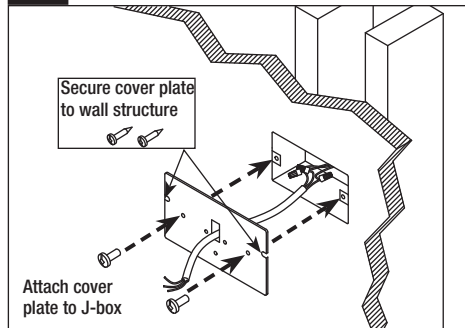
The tables below indicate how 4ft and 8ft modules can be combined to create continuous rows of various lengths.

Nominal Row Length	4'	8'
4'	1x	
8'		1x
12'	1x	1x
16'		2x
20'	1x	2x
24'		3x
28'	1x	3x
32'		4x



**IMPORTANT:** All mount brackets must be secured to wall structure (eg. studs or cross-braces).

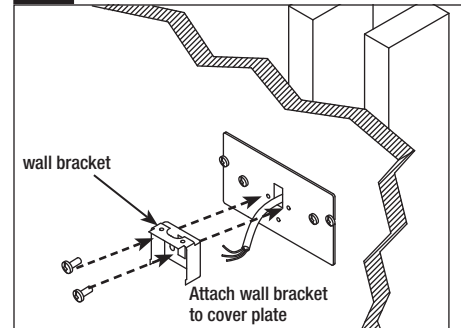
### 1 Install J-box and J-box cover



Determine power feed location and install 2" x 4" J-box (supplied by others) parallel with fixture. Complete connections at J-box **with supplied power cord**. On supplied J-box cover plate, feed power cord through rectangular hole. Secure cover to wall using applicable hardware (supplied by others).

*NOTE: Center of J-box should be in line with center of wall brackets.*

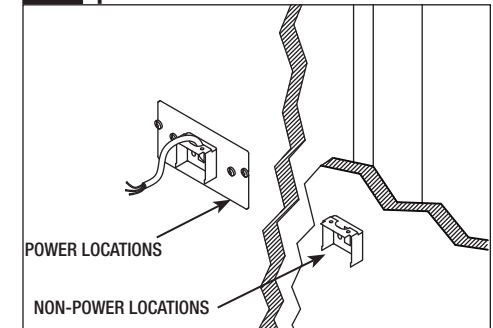
### 2 Install wall bracket at power locations



**RECOMMENDED:** Feed power cord through top of wall bracket and attach wall bracket to J-box cover with 2 screws (supplied). Leave power cord outside wall for connection.

**ALTERNATE:** Install wall bracket within 4" from fixture end, as close as possible to power supply. Secure bracket to wall structure.

### 3 Install wall brackets at non-power locations



Install additional wall brackets as required for single fixture or continuous rows. **Ensure additional brackets are level with first bracket.**

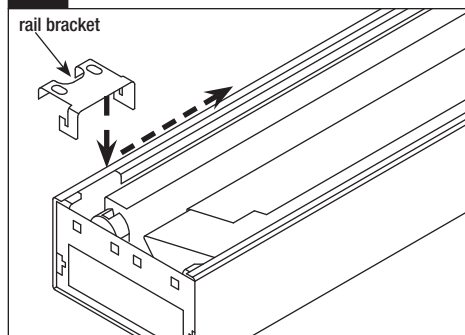
**IMPORTANT:** Attach wall brackets to wall structure within 2" - 5" from ends of fixture.

**For 8ft fixture:** Attach an additional bracket within 2" - 5" from the center of the fixture.

### 4 Unpack / Prepare fixtures

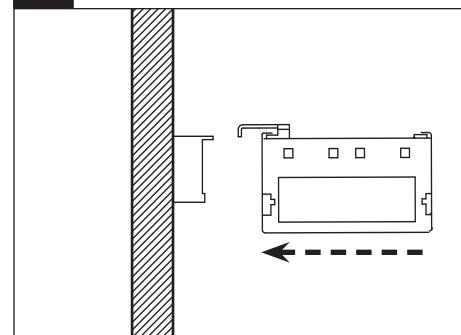
Arrange boxed fixtures on floor in specified mounting locations; remove fixtures from boxes.

### 5 Install top portion of bracket



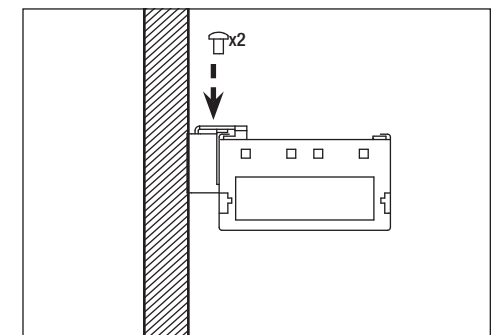
Install required number of rail brackets, per step 2 and 3, on the housing. Slide along the length to approximate location matching the brackets on the wall.

### 6 Raise fixture and engage on wall brackets



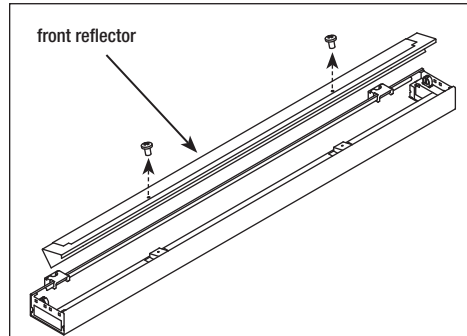
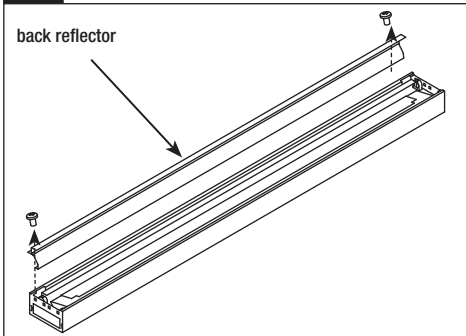
With 2 people, raise fixture into position and engage it on hooks located on top of wall brackets. Secure bracket using supplied hardware.

**POWER LOCATIONS:** Feed installed power cord through the access slot at the top of the rail bracket.



**ATTENTION:** Install in accordance with national and local building and electrical codes.

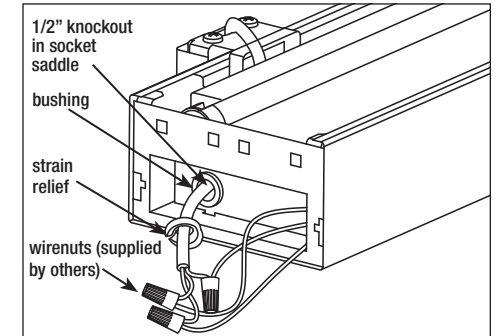
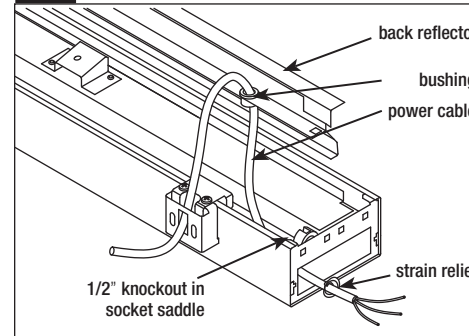
**7 Remove back and front reflectors / access wiring**



To access wiring, remove hardware (2 screws) from each front and back reflector.

NOTE: Front reflector to remain off until after endcaps are installed and fixtures are joined.

**8 Complete electrical connections**

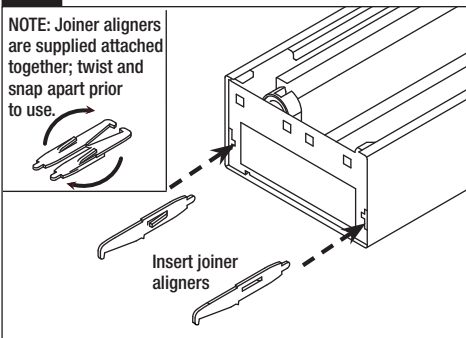


**NON-POWER LOCATIONS:** Cap all wires and tuck into wire cavity.  
**POWER LOCATIONS:** Break required 1/2" round knockout(s) in socket saddle. Insert supplied bushing into 1/2" round hole in back reflector. While holding reflector upright and over the fixture, feed the supplied power cable down into the reflector. Continue to feed the cable through the 1/2" hole into the socket saddle. Fasten back reflector back down. Slide second bushing up the cable into the socket saddle. Apply strain relief under the socket saddle to secure cable.

**POWER LOCATIONS:** Remove installed quick-wire connectors (if applicable) at power feed locations and complete electrical connections using wire nuts (supplied by others). Tuck wires into wire cavity.

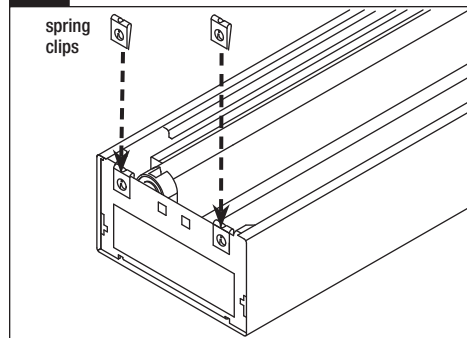
NOTE: Use smallest appropriate wire nuts.

**9 Install in-row joiner aligners**

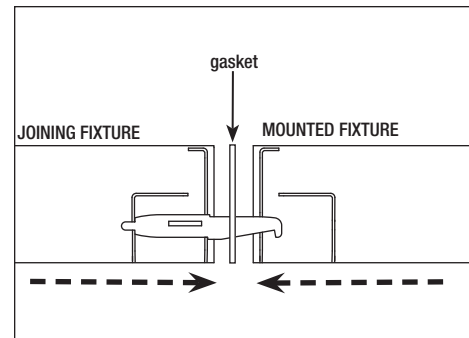


For each additional fixture in the row, **at the end closest to the existing mounted fixture**, install joiner aligners.

**10 Install and join additional fixtures to create row**



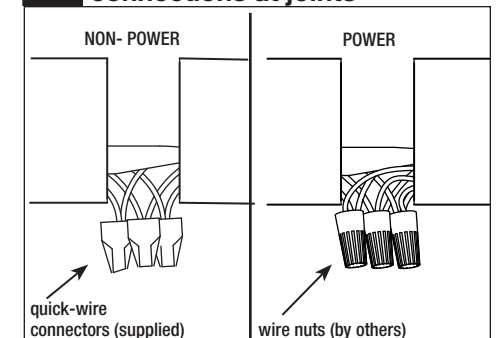
Slide spring clip onto existing mounted fixture (shown above).



Raise second fixture and engage on hooks located on top of wall brackets (see step 6). At joint, insert joiner aligners through black gasket and into mounted fixture.

**IMPORTANT: Do not attempt to join fixtures on floor. Instead, mount one fixture at a time and join modules on wall.**

**11 Complete electrical connections at joints**



Complete in-row electrical connections.

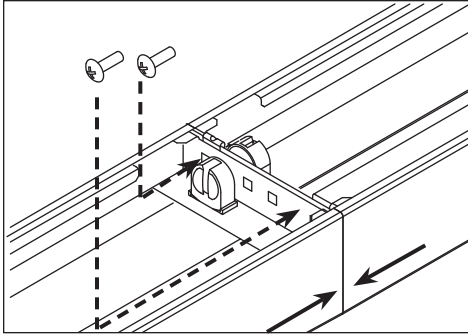
**NON-POWER LOCATIONS:** Use supplied quick-wire connectors. Tuck wires into wire cavity.

**POWER LOCATIONS:** Remove installed quick-wire connectors and complete electrical connections using wire nuts (supplied by others). Tuck wires into wiring cavity.

NOTE: Use smallest appropriate wire nuts.

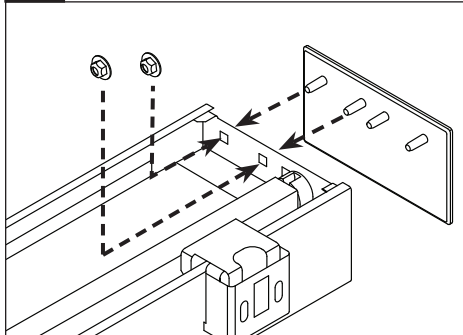
**! ATTENTION: Install in accordance with national and local building and electrical codes.**

**12** Secure fixtures at joint



Slide second fixture flush against first fixture. Secure joint using supplied hardware. Secure and level fixture to wall bracket by tightening the fasteners at each bracket (see step 6). For additional fixtures, repeat steps 9-12 for each additional fixture(s) in row.

**13** Install Endcaps



Attach endcap to first and last module in each row using supplied hardware. Use the two endcap studs furthest away from the wall.

**IMPORTANT: Do not over-tighten endcap fasteners. Ledalite recommends tightening fasteners by hand. When nut is flush with crossplate, turn an additional 1/4 turn.**

**14** Finishing

Replace front reflectors and secure.

Lamp fixtures.

**Secure all components:** Ensure all components are secure and installed according to code.