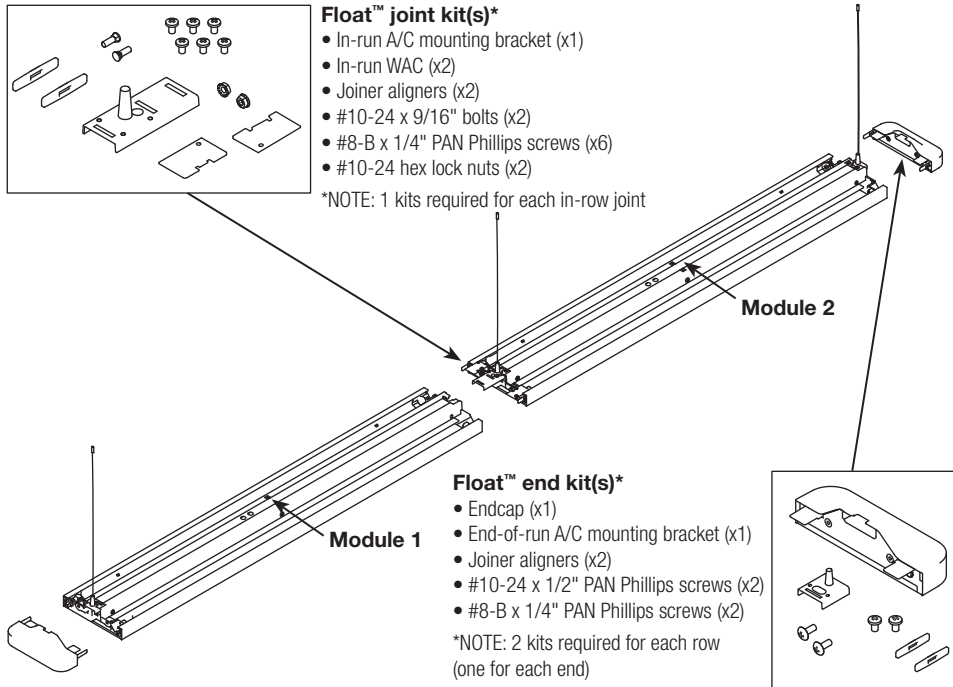


System Overview

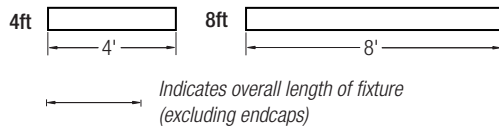
These instructions review how to install Float™ suspended fixtures. Float™ 4 ft and 8 ft modules can be installed as individual standalone units, or they can be joined together to create continuous rows. The graphic below shows the components required to install a typical row of Float™ suspended fixtures.



TOOLS REQUIRED: Phillips screwdriver, 3/8" nut driver, hammer and soft mallet.

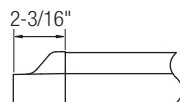
Module Lengths

Float™ suspended systems come in 4ft and 8ft modules. Overall module lengths are shown on the right. Module lengths do not include endcaps.



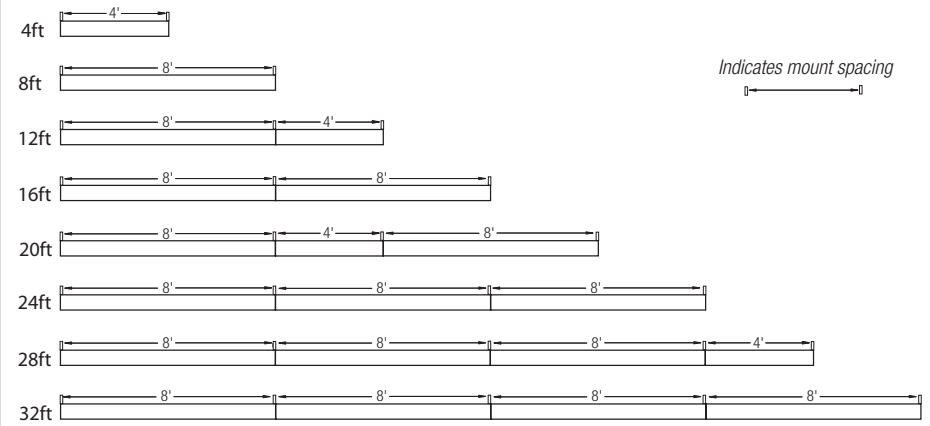
Endcaps

Add two endcaps to the overall length of each row.



Mount Spacing

For on-grid T-bar ceiling installations, mounts attach directly to Tee. For non-accessible ceilings and off-grid T-bar installations, the graphic below indicates mount spacing for typical row lengths. Mounting options are also available for a wide variety of other ceiling types. See *Suspended Mounting Options* document for more detailed information.



Row Configurations

The tables below indicate how 4ft and 8ft modules can be combined to create continuous rows of various lengths.

Nominal row length	4ft module	8ft module	Installed row length (incl endcaps)
4'	1x		4' 4-3/8"
8'		1x	8' 4-3/8"
12'	1x	1x	12' 4-3/8"
16'		2x	16' 4-3/8"
20'	1x	2x	20' 4-3/8"
24'		3x	24' 4-3/8"
28'	1x	3x	28' 4-3/8"
32'		4x	32' 4-3/8"
36'	1x	4x	36' 4-3/8"
40'		5x	40' 4-3/8"
44'	1x	5x	44' 4-3/8"
48'		6x	48' 4-3/8"

Nominal row length	4ft module	8ft module	Installed row length (incl endcaps)
52'	1x	6x	52' 4-3/8"
56'		7x	56' 4-3/8"
60'	1x	7x	60' 4-3/8"
64'		8x	64' 4-3/8"
68'	1x	8x	68' 4-3/8"
72'		9x	72' 4-3/8"
76'	1x	9x	76' 4-3/8"
80'		10x	80' 4-3/8"
84'	1x	10x	84' 4-3/8"
88'		11x	88' 4-3/8"
92'	1x	11x	92' 4-3/8"
96'		12x	96' 4-3/8"

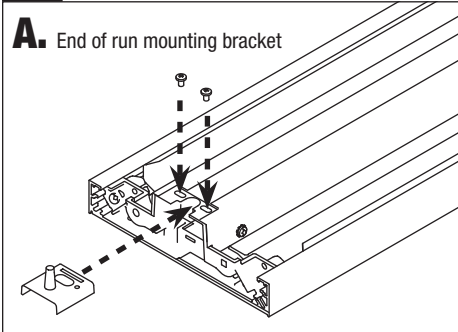
! ATTENTION: Install in accordance with national and local building and electrical codes. Page 1

1 Prepare fixtures / Install ceiling mounting components

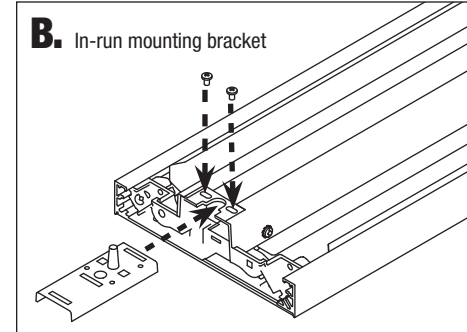
Arrange boxed fixtures on floor in specified mounting locations; remove fixtures from boxes.
Install all ceiling mounting components and vertical aircraft cables using separate installation instructions for Aircraft Cable Mounting (supplied).

IMPORTANT: Leave protective film on fixture and endcaps during installation.
Remove after installation is complete.

2 Install aircraft cable brackets

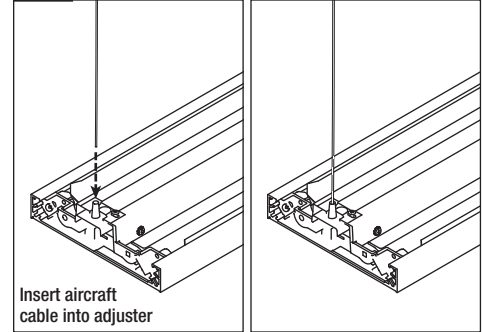


A. Hook A/C mounting bracket to endplate as shown. The endplate tab must engage into the bracket.



B. Fasten the bracket to fixture using supplied fasteners.

3 Suspend and level first fixture

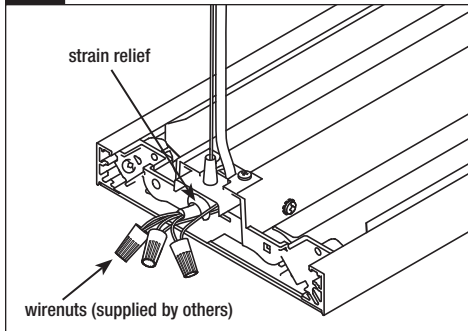


Insert aircraft cable into adjuster

With 2 people, raise the first fixture. At each end of the module, insert aircraft cable through aircraft cable adjuster (located on A/C mount bracket). The adjuster will automatically grip and hold the cable. **IMPORTANT: Do not force cable into adjuster. See instruction A (next page) for details.** Trim aircraft cable below adjuster as per instruction A (next page).

Level the fixture (see instruction B & C on next page).

4 Complete electrical connections at end



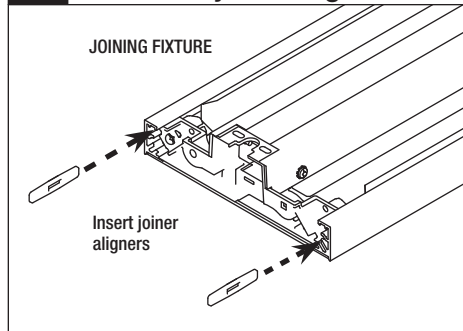
NON-POWER LOCATIONS: Cap all wires and tuck into wire cavity.

POWER LOCATIONS: Insert power cord and apply strain relief below the mounting bracket to secure cord. Remove installed quick-wire connectors (if applicable) at power feed locations and complete electrical connections using wire nuts (supplied by others). Tuck wires into wire cavity.

NOTE: Use smallest appropriate wire nuts.

NOTE 2: Power feed connections can also be completed at joint locations.

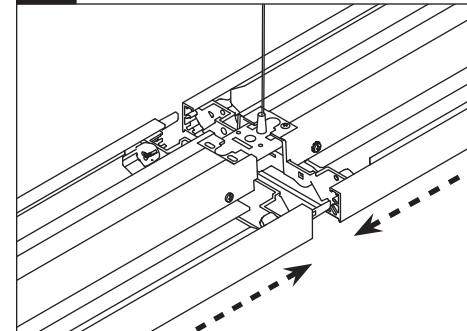
5 Install in-row mount brackets and insert joiner aligners



For each additional fixture in the row, **at the end furthest from the existing suspended fixture**, attach A/C mounting bracket to fixture using supplied fasteners (see step 2).

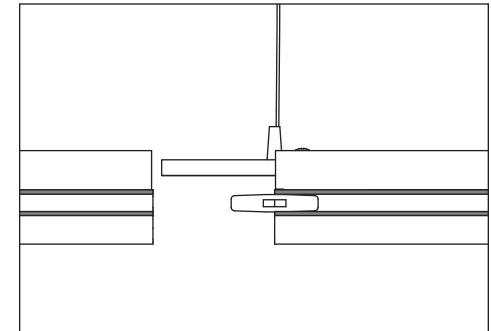
At the end closest to the existing suspended fixture, insert joiner aligners into extrusion. Use a hammer to position them half way into the extrusion.

6 Suspend and join additional fixtures to create row



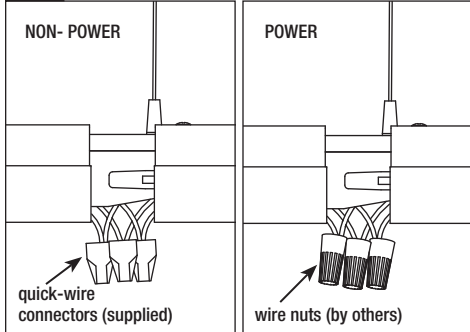
With two people, raise second fixture to ceiling. Temporarily rest the joining module on the mounting bracket. Make sure the joining module is positively engaged in the bracket before wiring.

IMPORTANT: Do not attempt to join fixtures on floor. Instead, hang one fixture at a time and join modules at ceiling level.



! ATTENTION: Install in accordance with national and local building and electrical codes.

7 Complete electrical connections at joints

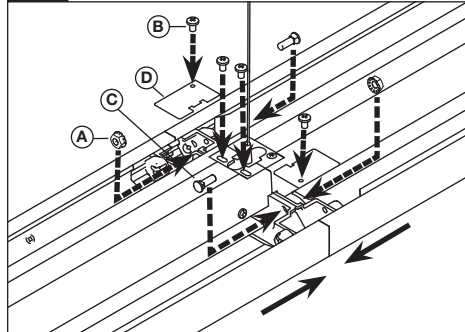


Complete in-row electrical connections.

NON-POWER LOCATIONS: Use supplied quick-wire connectors. Tuck wires into wire cavity.

POWER LOCATIONS: Remove installed quick-wire connectors and complete electrical connections using wire nuts (supplied by others). Tuck wires into wiring cavity.

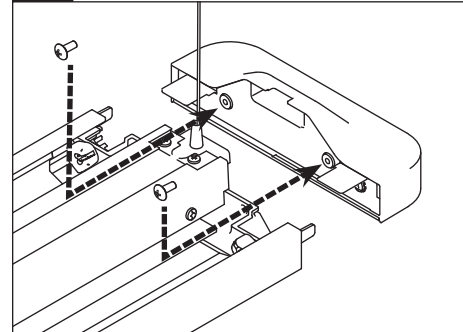
8 Secure joints



Slide modules together. Secure joint from above using supplied nut (A) and bolt (C) hardware. Secure the mounting bracket with screws (B) from the top. Cover the spacing between the cross plates with the supplied plates (D). Secure with a fastener (B).

Repeat steps 5-7 for each additional fixture in row.

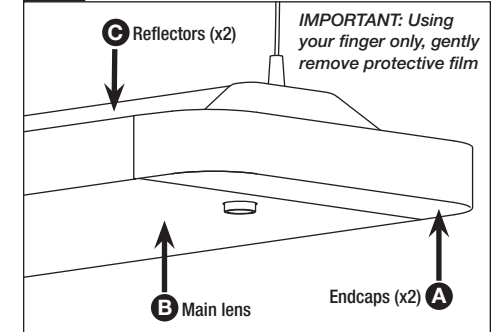
9 Install endcaps



Insert joiner aligners into first and last module with a gentle tap of a hammer. Attach endcap to first and last module in each row. Use a **soft mallet** and tap the endcap into place. Secure it with supplied hardware.

IMPORTANT: Do not over-tighten endcap fasteners. Ledalite recommends tightening fasteners by hand.

10 Finishing



Lamp fixtures.

Secure all components: Ensure all components are secure and installed according to code.

Remove protective film: Using your finger only, gently remove the protective film from:

- A** Underside of endcaps
- B** Main lens
- C** Reflectors

A Aircraft cable adjustment

IMPORTANT: Do not force cable into adjuster. To insert cable into adjuster, follow the steps below.

1. INSERT

Carefully insert cable into tapered end. If cable does not insert easily or becomes jammed during insertion, use the release tool to remove cable.

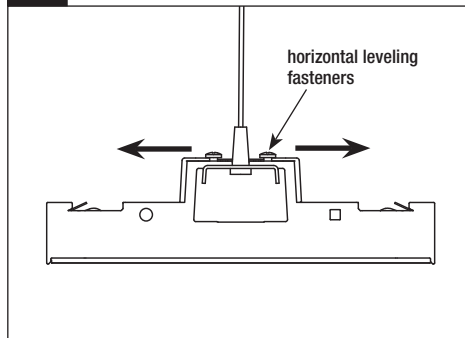
2. CUT

If required, cut cable ends cleanly 2" below adjuster and tuck remaining cable into the ballast channel. Recommended cutters: K.K. Porter cable cutter cat. No. 0690TN or Klein all purpose shears cat. No. 1104.

3. TEST

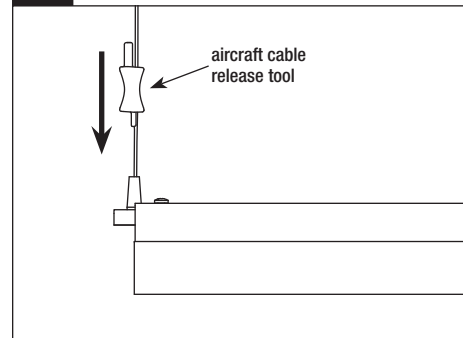
Once cable is inserted, apply a 25lb point load to each mount bracket to ensure all connections are secure.

B Level horizontally



LEVEL HORIZONTALLY: Loosen fasteners on top of adjuster and level as required. Tighten fastener once mount is in level position.

C Level vertically



LEVEL VERTICALLY: Support fixture from below and use supplied aircraft cable release tool to make fine height adjustments (see instruction A for details).

! ATTENTION: Install in accordance with national and local building and electrical codes.