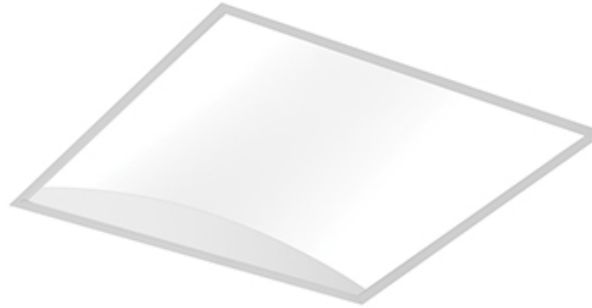




Recessed

ArcForm

2'x2', 3600 lm
3000/3500/4000K



Project: _____
 Spec Type: _____
 Catalog No: 3622xxxxLx36 _____
 Qty _____
 Line Notes: _____

Philips Ledalite ArcForm recessed LED is a highly efficacious fully luminous fixture with brilliant color rendering and an innovative 3D symmetrical batwing lighting distribution. It delivers pure white light—free of glare, color shifts, hot spots or striations.

Ordering guide

Product Type	Version	Configuration	Light Source *	CRI/CCT	Lumens *	Housing	Wiring †	Voltage	Driver
3622			L		36				
ArcForm 2' x 2'	D1 Standard T Grid D2 Slot T Grid A1 Air Return on Standard T Grid A2 Air Return on Slot T Grid	ST Standalone CR Continuous Row	L LED	A 4000K B 3500K C 3000K	30 3000 lumens 36 3600 lumens 44 4400 lumens	S Standard C Chicago Plenum	1 1 cct 5 1 cct + EM Batt. Pack 7 1 cct Dimming N 1 cct Dimming + EM Batt. Pack T 1 cct Step Dimming	1 120V 2 277V 3 347V	E Philips Advance

* Nominal values within a range. Consult photometry data for exact color temp, lumens & distribution.

† Not all wiring types are available with all configurations. Consult Philips Ledalite for a complete list of available options.

Upgrades & Accessories Please indicate with check mark.

- Flex Whip (6' length)
- Drywall Kit

Integrated Controls Please indicate with check mark.

- Response Daylight Single Zone (DS)



ArcForm

2'x2', 3600 lm

3000/3500/4000K

Optical System

A curved, fully luminous acrylic panel with a protected layer of MesoOptics film efficiently generates a controlled, low glare, 3-dimensional batwing distribution. Die-formed, cold-rolled steel ends are assembled together with extruded aluminum side profiles to form a sturdy optical frame. The frame is hinged to allow easy access to the inside of the fixture. Maintenance can be performed from below the ceiling.

Housing

Die-formed, post-painted, 22 gauge cold-rolled steel housing. Multiple wire entrances are available (top or side) to allow continuous row mounting of fixtures. Optional frame restraint is available to provide additional safety support.

Mounting

Compatible with lay-in acoustical ceilings using an exposed 9/16", 15/16" or slot T-grid suspension system (NEMA types G, NFG & NFGS). Integral mounting tabs are provided which handle different T-grid heights.

Finish

Housing and Frame: Post-painted, high quality powder coat. Available in white only.

Weight

Maximum 25lb.

Electrical

LED boards are easily field replaceable. Fixtures are factory pre-wired and tested for all circuits. Driver access from below the ceiling. Optional armored cable flex whips are supplied in 6' lengths.

Standard Driver

Philips Advance Xitanium 0-10V, 1-100% (347V: 5-100%), Class 2 rated output. Consult Philips Ledalite for other available drivers.

Standard Battery Pack

Philips Bodine, 90 min, 10W, Class 2 rated output, 1000lm nominal (@ 100lm/W; Flux = W x lm/W).

Lumen Maintenance

LEDs have been tested by the manufacturer in accordance with IESNA LM-80-08. At an ambient temperature of 25°C, the LED lumen maintenance expectation according to IES TM-21-11 Reported methodology is L₈₀ (12k) >72,000 hrs.

Source Color

LEDs rated for standard color rendering CRI >80, R9 >0 and color accuracy within 3 SDCM.

Controls

Available with integrated Response Daylight sensor, which dims the luminaire when daylight is present. Contact Philips Ledalite for additional functionality.

Approvals

Certified to UL, IES & CSA Standards. City of Chicago Approved CCEA (housing option C). Type IC Rated. Certain versions without battery packs are DesignLights Consortium® qualified. Please see the DLC QPL list for exact catalog numbers (www.designlights.org/QPL).

Warranty

Five-year luminaire limited warranty including LED boards and driver. www.philips.com/warranties.

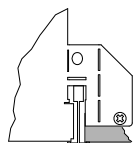
Environment

Rated for dry or damp locations in operating ambient temperatures of 0-25°C (32-77°F). Many luminaire components, such as reflectors, refractors, lenses, sockets, lamp holders, and LEDs are made from various types of plastics which can be adversely affected by airborne contaminants. If sulfur based chemicals, petroleum based products, cleaning solutions, or other contaminants are expected in the intended area of use, consult factory for compatibility. Damage caused by sulfur, chlorine, petroleum based solution or other contaminants are not covered under warranty. Not suitable for natatorium environments.

Due to continuing product improvements, Philips Ledalite reserves the right to change the specifications without notice.

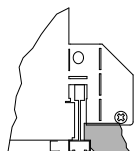
Options and Details

Mounting



Standard T-Grid

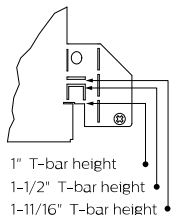
Option D1 works with 9/16" and 15/16" flat T-grid ceilings. It can also be used with slot T-grid ceilings. For 9/16" slot T-grid ceilings, fixture will sit 5/16" above the bottom of the T-Bar.



Slot T-Grid

Option D2 is designed to sit flush with slot T-grid ceilings and some tegular tile ceiling types.

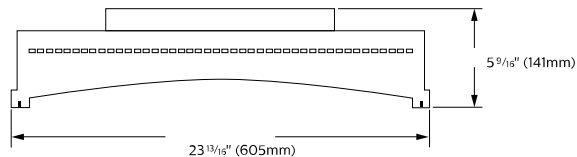
Ceiling types



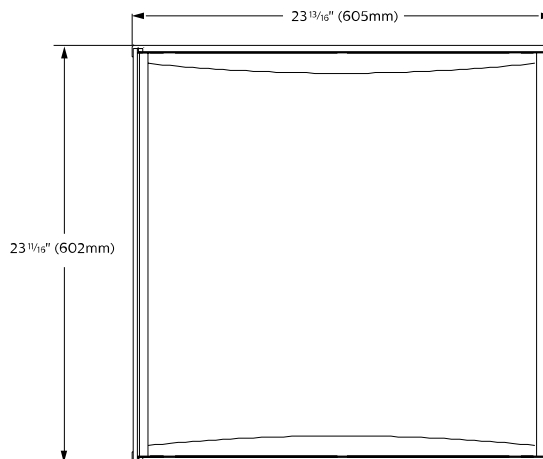
Integrated mounting tabs can be field-adjusted to various T-Grid ceiling heights for fastening directly to the T-Bar and/or tied off to the building structure.

- 1" T-bar height
- 1-1/2" T-bar height
- 1-11/16" T-bar height

Cross Section



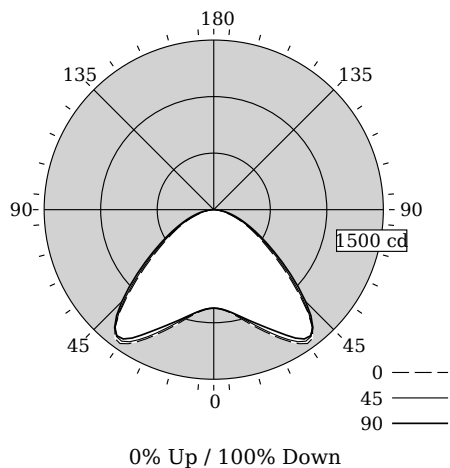
Lens View



ArcForm

2'x2', 3600 lm
3000/3500/4000K

Photometry - 3500K



Candela Distribution

Vertical Angle	Horizontal Angle					Zonal Lumens
	0	22.5	45	67.5	90	
0	1004	1004	1004	1004	1004	0
5	1022	1017	1014	1018	1020	98
15	1141	1136	1125	1120	1118	323
25	1356	1353	1336	1315	1306	621
35	1463	1455	1456	1464	1452	892
45	966	985	1014	1057	1081	786
55	485	497	517	549	571	481
65	252	260	267	284	294	272
75	100	105	112	125	134	124
85	20	21	25	31	35	30
90	0	0	0	0	0	0
95	0	0	0	0	0	0
105	0	0	0	0	0	0
115	0	0	0	0	0	0
125	0	0	0	0	0	0
135	0	0	0	0	0	0
145	0	0	0	0	0	0
155	0	0	0	0	0	0
165	0	0	0	0	0	0
175	0	0	0	0	0	0
180	0	0	0	0	0	0

Fixture photometry has been conducted in accordance with IESNA LM-79-08

IES files for this and other photometric options can be downloaded online at www.lightingproducts.philips.com

Coefficients of Utilization (%)

RCR	Ceiling												
	70	50	30	10	70	50	30	10	70	50	30	10	0
0	119	119	119	119	116	116	116	111	111	111	111	100	0
1	110	106	102	99	108	104	100	100	97	94	87	87	0
2	101	94	88	83	99	92	86	89	84	80	74	74	0
3	93	83	76	70	91	82	75	79	73	68	64	64	0
4	85	74	66	60	83	73	65	71	64	59	55	55	0
5	79	67	58	52	77	66	58	64	57	51	48	48	0
6	73	60	52	45	71	59	51	57	50	45	42	42	0
7	67	54	46	40	66	54	46	52	45	40	37	37	0
8	63	50	41	36	61	49	41	48	40	35	33	33	0
9	58	45	37	32	57	45	37	44	37	32	30	30	0
10	55	42	34	29	53	41	34	40	33	29	27	27	0

Avg. Luminance (cd/m2)

Vertical Angle	Horizontal Angle		
	0	45	90
55	2714	2899	3201
65	1916	2031	2235
75	1241	1389	1663
85	720	932	1282

Distribution Summary

Hemisphere	0% Up / 100% Down
Glare Control	Meets RP-1-12 recommendations for VDT-Normal spaces

Philips Ledalite

LED lighting facts
A Program of the U.S. DOE

Light Output (Lumens) 3628
Watts 34.7
Lumens per Watt (Efficacy) 104.55

Color Accuracy
Color Rendering Index (CRI) 82

Light Color
Correlated Color Temperature (CCT) 3367 (Bright White)

2700K 3000K 4500K 6500K

All results are according to IESNA LM-79-2008: *Approved Method for the Electrical and Photometric Testing of Solid-State Lighting*. The U.S. Department of Energy (DOE) verifies product test data and results.

Visit www.lightingfacts.com for the *Label Reference Guide*.

Registration Number: F46Z-1HJHTM (11/18/2016)
Model Number: 3622DxxxLB36
Type: Luminaire - Troffer/Grid Ceiling

ArcForm

2'x2', 3600 lm
3000/3500/4000K

Optical Performance

Nominal CCT:	3000K	3500K	4000K
Flux (lm)	3563	3628	3756
Efficacy (lm/W)	102.4	104.6	108.2
Power (W)	34.8	34.7	34.7
CCT (K)	2979	3367	3847
CRI	82	82	83
R9	2	4	5
x	0.4372	0.4136	0.3905
y	0.4022	0.3959	0.3911
Duv	0.0009	0.0005	0.0038

Electrical Performance - 3500K

Input Voltage	120V	277V
Input Power	34.7W	35.1W
Input Current	0.30A	0.13A
Power Factor	0.970	0.996
Total Harm. Distortion	12.4%	6.6%

Tested values – contact technical support for rated values.
Off-state power zero unless certain controls are specified.

