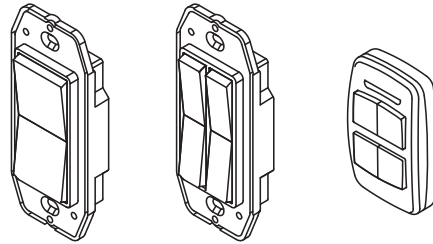


315 MHz
 100 Ft Indoor
 Wireless and Batteryless

Kinetic Energy Devices & Accessories



Project Name

Spec Type

Notes

Devices Some combinations of product options may not be available. Consult factory for assistance with your specification.

ITEM 1	<input type="text"/>	-	<input type="text"/>	<input type="text"/>	<input type="text"/>	<input type="text"/>
ITEM 2	<input type="text"/>	-	<input type="text"/>	<input type="text"/>	<input type="text"/>	<input type="text"/>
ITEM 3	<input type="text"/>	-	<input type="text"/>	<input type="text"/>	<input type="text"/>	<input type="text"/>
ITEM 4	<input type="text"/>	-	<input type="text"/>	<input type="text"/>	<input type="text"/>	<input type="text"/>
	Quantity		Product	Switch Type	Size	Color
				DP Dual Paddle SP Single Paddle	1G Single Gang HR Handheld Remote1	WH White BK Black LA Light Almond VY Ivory BR Brown

¹Note: Handheld Remote is only available in white, dual paddle.

Specifications



Power source	Kinetic, self-powered
Color options	White, light almond, ivory, brown, black
Actuations	> 50,000
Mounting	Standard wall box or surface mount via screws, tape, glue, etc.
Operating temperature	-25° to +65°C
Wireless frequency	315 MHz
Transmission range	100 ft indoor (30.5 m)

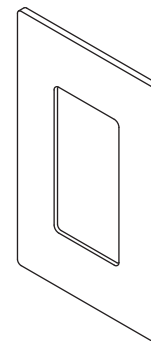
Note: See reverse for device dimensions.



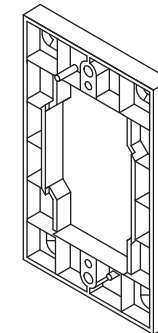
Airwave is FCC and UL approved for use in the United States, IC and CSA approved for use in Canada, and meets the requirements of the California Building Standards Code Title 24.

Optional Accessories

<input type="checkbox"/>	ITEM 1	<input type="text"/>	-	<input type="text"/>	<input type="text"/>	<input type="text"/>
<input type="checkbox"/>	ITEM 2	<input type="text"/>	-	<input type="text"/>	<input type="text"/>	<input type="text"/>
<input type="checkbox"/>	ITEM 3	<input type="text"/>	-	<input type="text"/>	<input type="text"/>	<input type="text"/>
<input type="checkbox"/>	ITEM 4	<input type="text"/>	-	<input type="text"/>	<input type="text"/>	<input type="text"/>
		Quantity		Product	Item	Size
				FP Faceplate BP Backplate		1G Single Gang 2G Dual Gang 3G Triple Gang
						Color
						WH White BK Black LA Light Almond VY Ivory BR Brown



Faceplate



Backplate

Note:

Single gang shown.

Also available in dual and triple gang sizes.

See reverse for dimensions.

Kinetic Energy Devices

315 MHz

100 Ft. Indoor

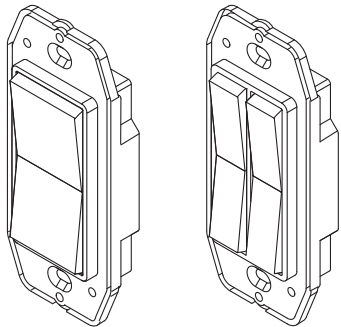
Wireless and Batteryless

Kinetic Energy Devices

Airwave switches are wireless and battery-less devices which transmit unique 32 bit signals to one or more linked transceivers to turn ON/OFF or dim luminaires. Each press and release of a switch generates enough kinetic energy to power the switch to wirelessly transmit a command.

There are two versions of Airwave Switches – a dual paddle, single gang switch, which has the functionality of two switches in a single gang size, and a single paddle, single gang switch. There is also a handheld remote control version, which has the same functionality as the dual paddle switch in a small remote control form factor.

Airwave Switches fit standard wall boxes but offer additional flexibility because they can also be adhered to other surfaces with Velcro or two-way tape using optional Low Profile Mounting Backplates.



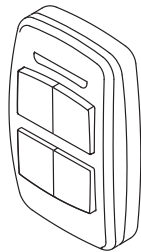
Single Gang Switches:
Single Paddle Switch
Dual Paddle Switch

H: 4.2" (107 mm)
W: 1.8" (46 mm)
D: 0.7" (18 mm)

NOTE: Airwave Switches are available in White, Black, Light Almond, Ivory and Brown.

Handheld Remote

H: 3.2" (81 mm)
W: 1.9" (48 mm)
D: 0.7" (18 mm)

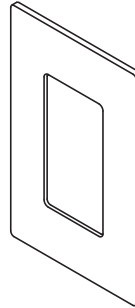


NOTE: Airwave Handheld Remote is available in White.

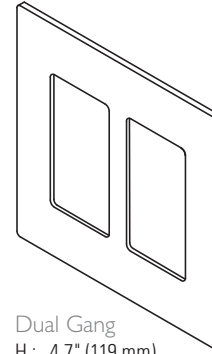


Optional Accessories

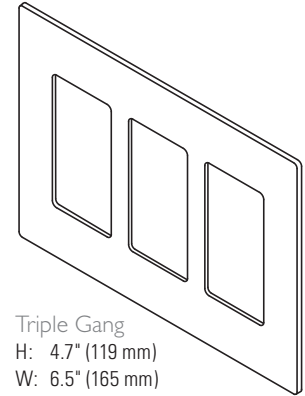
Architectural Screwless Faceplates



Single Gang
H: 4.7" (119 mm)
W: 2.9" (74 mm)
D: 0.3" (8 mm)



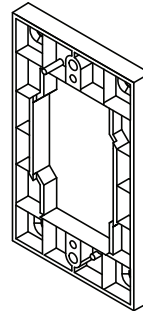
Dual Gang
H: 4.7" (119 mm)
W: 4.7" (119 mm)
D: 0.3" (8 mm)



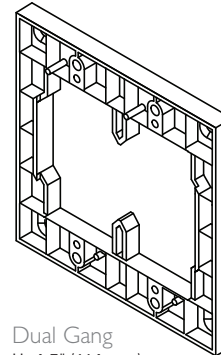
Triple Gang
H: 4.7" (119 mm)
W: 6.5" (165 mm)
D: 0.3" (8 mm)

NOTE: Architectural screwless faceplates are available in single, dual or triple gang and in a number of standard colors: White, Black, Light Almond, Ivory and Brown.

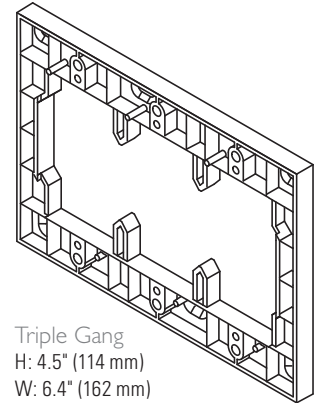
Low Profile Surface Mount Backplates



Single Gang
H: 4.5" (114 mm)
W: 2.8" (71 mm)
D: 0.4" (10 mm)



Dual Gang
H: 4.5" (114 mm)
W: 4.6" (116 mm)
D: 0.4" (10 mm)



Triple Gang
H: 4.5" (114 mm)
W: 6.4" (162 mm)
D: 0.4" (10 mm)

NOTE: Low profile mounting backplates are used when attaching Airwave switches to wall and other surface. Backplates are available in single, dual or triple gang and in a number of standard colors: White, Black, Light Almond, Ivory and Brown.

