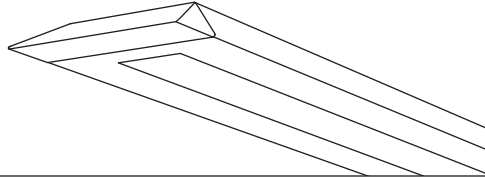


# Verge™



Suspended  
Direct/Indirect  
2 T8



Project Name

Spec Type

Notes

## Order Guide

Some combinations of product options may not be available. Consult factory for assistance with your specification.

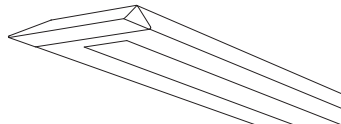
<b>7606</b>	<b>T02</b>	<input type="text"/>	<input type="text"/>	-	<input type="text"/>	-	<input type="text"/>	-	<input type="text"/>	<input type="text"/>	<input type="text"/>
<b>Product Series &amp; Type</b> Verge Direct/Indirect	<b>Lamping</b> 2 T8	<b>Lower Optics</b> <b>Q</b> MesoOptics® Lens	<b>Upper Optics</b> <b>N</b> None <b>G</b> 80% Down Kit <b>J</b> 100% Down Kit		<b>Run Length</b> <i>Enter the total run length in feet (4ft increments)</i>	<b>Wiring</b> <b>1</b> 1 cct <b>2</b> 2 cct <b>3</b> 1 cct w/ Emergency cct <b>4</b> 2 cct w/ Emergency cct <b>5</b> 1 cct w/ Battery Pack <b>6</b> 2 cct w/ Battery Pack	<b>Voltage</b> <b>1</b> 120V <b>2</b> 277V	<b>Ballast</b> <b>E</b> Standard Ballast  Consult website for ballast manufacturer information	<b>Color &amp; Finish</b> <b>W</b> Standard White <b>C</b> Factory Color <b>X</b> Custom Color  Consult website for color and finish options		
<b>Mounting Hardware</b>											
<input type="text"/>											
<b>Mount Type</b> Consult separate mounting spec sheet for mount type options						<b>Suspension Length</b> <i>Enter distance from ceiling to top of fixture in inches</i>					

## Upgrades & Accessories

Please indicate with check mark.

<input type="checkbox"/> Lamps Included	<input type="checkbox"/> Dust Cover
---	-------------------------------------





Photometry Optics QN MesoOptics® Lens

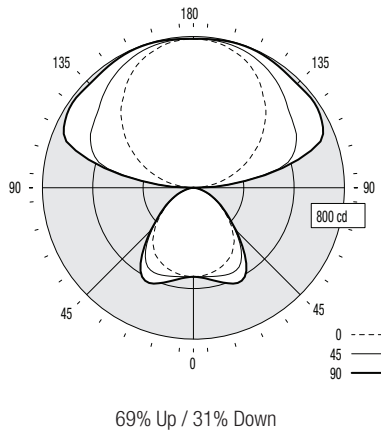
Report Summary

Report # 9901147 Peak Candela Value\* 798 @ 160°  
 Filename 7606T02QN.ies Peak to Zenith Ratio\* 1.0 : 1  
 Efficiency 78.2% \* Between 90-180° vertical angle

Meets RP-1-04 recommendations for VDT-Intensive spaces

Candela Distribution

Vertical Angle	Horizontal Angle					Zonal Lumens
	0	22.5	45	67.5	90	
0	471	471	471	471	471	
5	468	470	473	475	477	47
15	454	465	484	503	514	137
25	425	449	495	538	556	227
35	371	401	445	487	488	273
45	284	300	309	328	321	239
55	182	191	186	201	193	172
65	108	109	105	112	109	109
75	45	47	43	49	45	50
85	6	7	7	9	7	10
90	0	0	0	0	0	
95	54	140	186	161	187	166
105	176	342	519	532	575	457
115	306	416	602	714	758	558
125	432	500	637	747	783	558
135	543	591	681	751	777	518
145	633	666	727	770	785	450
155	713	724	762	789	796	350
165	758	764	782	795	797	220
175	784	785	788	791	790	76
180	788	788	788	788	788	



Coefficients of Utilization (%)

Ceiling: Wall:	80				70				50				0
	70	50	30	10	70	50	30	10	50	30	10	0	
0 RCR	79	79	79	79	71	71	71	55	55	55	21		
1	73	69	67	64	65	62	60	48	47	45	18		
2	66	61	56	52	59	54	51	43	40	38	15		
3	60	53	48	44	54	48	43	38	35	32	13		
4	55	47	41	37	49	42	38	33	30	27	11		
5	51	42	36	32	45	38	33	30	26	23	10		
6	47	38	32	27	41	34	29	27	23	20	9		
7	43	34	28	24	38	30	25	24	20	18	8		
8	40	31	25	21	35	28	23	22	18	16	7		
9	37	28	22	18	33	25	20	20	16	14	6		
10	34	25	20	16	31	23	18	18	15	12	6		

Based on a floor reflectance of 0.2

Avg. Luminance (cd/m<sup>2</sup>)

Vertical Angle	Horizontal Angle		
	0	45	90
55	2943	3008	3121
65	2370	2305	2392
75	1613	1541	1613
85	639	745	745

IES files for this and other photometric options can be downloaded online at [www.ledalite.com](http://www.ledalite.com)

Additional Information

Modules

Module length excludes endcaps.  
Nominal mount spacing for individually mounted modules.

Module	Mount Spacing*
4ft	4' 0"
8ft	8' 0"

\* Refer to installation instructions for exact mount spacing

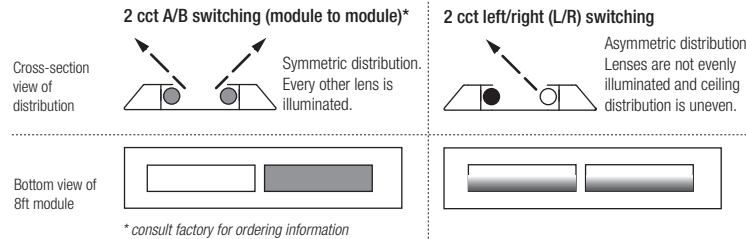
Endcap



Upper Optics



Switching Options



Specifications

Due to continuing product improvements, Ledalite reserves the right to change specifications without notice.

Housing

Die-formed 18 gauge cold-rolled steel.

Weight

3.5 lb/ft.

Optical System

High efficiency optical system providing an optimal direct/indirect distribution. Lower optics consist of a flat acrylic panel with a layer of MesoOptics® film that provides a controlled distribution in the lower hemisphere.

T5/T5HO upper optics include high performance Miro IV® specular reflectors that provide a wide-spread batwing to evenly illuminate the ceiling (T8 upper optics are painted high reflective white).

Standard distribution is 70% up / 30% down. Optional field-installable variable optics kits provide additional downlight as required.

Endcaps

Die-cast endcaps.

Joints

Self-aligning joining system with hands-free pre-joining wire access.

Mounting

Aircraft cable gripper is tamper-resistant and provides infinite vertical adjustment capability. Aircraft cable, crimp and cable gripper independently tested to meet stringent safety requirements.

Electrical

Factory pre-wired to section ends with quick-wire connectors.

Ballast

Electronic. Supplied with pre-installed ballast disconnects as per changes to the National Electrical Code.

Approvals

Certified to UL and CSA standards.

Finish

High-quality powder coat. Available in Ledalite Standard White (textured matte finish), and a selection of other factory and customer-specified colors. Consult factory for details.