

Verge™

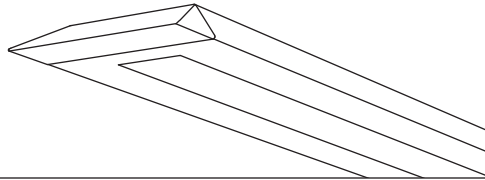


Project Name

Spec Type

Notes

Suspended
Direct/Indirect
2 T8



Order Guide


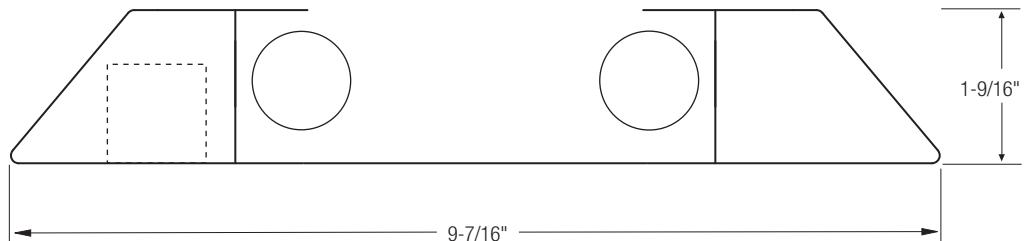
Some combinations of product options may not be available. Consult factory for assistance with your specification.

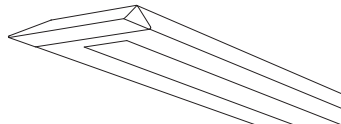
7606	T02	<input type="text"/>	<input type="text"/>	-	<input type="text"/>	-	<input type="text"/>	-	<input type="text"/>	<input type="text"/>	<input type="text"/>
Product Series & Type Verge Direct/Indirect	Lamping 2 T8	Lower Optics Q MesoOptics® Lens	Upper Optics N None G 80% Down Kit J 100% Down Kit	Run Length <i>Enter the total run length in feet (4ft increments)</i>	Wiring 1 1 cct 2 2 cct 3 1 cct w/ Emergency cct 4 2 cct w/ Emergency cct 5 1 cct w/ Battery Pack 6 2 cct w/ Battery Pack	Voltage 1 120V 2 277V	Ballast E Standard Ballast Consult website for ballast manufacturer information	Color & Finish W Standard White C Factory Color X Custom Color Consult website for color and finish options			
Mounting Hardware											
						<input type="text"/>		<input type="text"/>			
						Mount Type Consult separate mounting spec sheet for mount type options			Suspension Length <i>Enter distance from ceiling to top of fixture in inches</i>		
			See details on reverse		See details on reverse		Consult website for complete list of standard wiring options				

Upgrades & Accessories

Please indicate with check mark.

<input type="checkbox"/> Lamps Included	<input type="checkbox"/> Dust Cover
---	-------------------------------------



Photometry Optics QG MesoOptics® Lens w/ 80% Down Kit

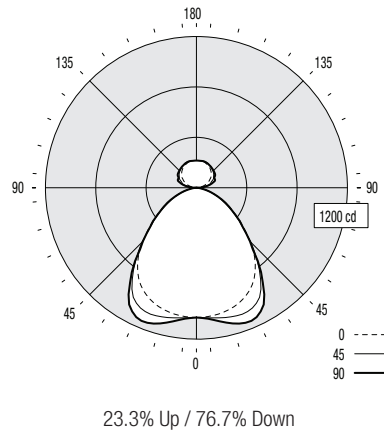
Report Summary

Report # 9901148 Peak Candela Value* 218 @ 165°
 Filename 7606T02QG.ies Peak to Zenith Ratio* 1.0 : 1
 Efficiency 58.9% * Between 90-180° vertical angle

Meets RP-1-04 recommendations for VDT-Normal spaces

Candela Distribution

Vertical Angle	Horizontal Angle					Zonal Lumens
	0	22.5	45	67.5	90	
0	1030	1030	1030	1030	1030	
5	1027	1030	1036	1039	1043	101
15	1001	1021	1061	1097	1115	301
25	939	983	1053	1117	1133	480
35	814	861	889	946	920	553
45	601	634	613	623	602	476
55	389	402	375	393	380	349
65	224	233	214	237	224	224
75	98	103	94	103	96	105
85	13	18	14	18	14	21
90	0	0	0	0	0	0
95	17	24	40	39	50	37
105	60	81	111	120	125	104
115	103	117	143	154	162	135
125	139	150	167	179	182	146
135	166	173	187	193	192	142
145	188	193	200	205	202	125
155	203	205	214	215	212	96
165	214	215	218	220	218	61
175	217	217	217	216	216	21
180	216	216	216	216	216	



Coefficients of Utilization (%)

Ceiling: Wall:	80				70				50				0
	70	50	30	10	70	50	30	10	50	30	10	0	
0 RCR	66	66	66	66	63	63	63	57	57	57	44		
1	61	59	57	55	58	56	54	51	49	48	38		
2	56	52	48	45	53	50	46	45	43	41	33		
3	51	46	42	38	49	44	40	40	37	35	28		
4	47	41	36	33	45	39	35	36	33	30	24		
5	44	37	32	28	41	35	31	32	29	26	21		
6	40	33	28	25	38	32	27	29	26	23	19		
7	37	30	25	22	35	29	25	27	23	20	17		
8	35	27	23	20	33	26	22	24	21	18	15		
9	32	25	21	18	31	24	20	22	19	16	14		
10	30	23	19	16	29	22	18	21	17	15	12		

Based on a floor reflectance of 0.2

Avg. Luminance (cd/m²)

Vertical Angle	Horizontal Angle		
	0	45	90
55	6291	6064	6145
65	4916	4697	4916
75	3512	3369	3441
85	1384	1490	1490

IES files for this and other photometric options can be downloaded online at www.ledalite.com

Additional Information

Modules

Module length excludes endcaps.
Nominal mount spacing for individually mounted modules.

Module	Mount Spacing*
4ft	4' 0"
8ft	8' 0"

* Refer to installation instructions for exact mount spacing

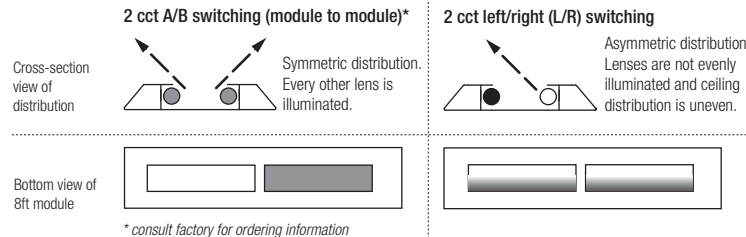
Endcap



Upper Optics



Switching Options



Specifications

Due to continuing product improvements, Ledalite reserves the right to change specifications without notice.

Housing

Die-formed 18 gauge cold-rolled steel.

Weight

3.5 lb/ft.

Optical System

High efficiency optical system providing an optimal direct/indirect distribution. Lower optics consist of a flat acrylic panel with a layer of MesoOptics® film that provides a controlled distribution in the lower hemisphere.

T5/T5HO upper optics include high performance Miro IV® specular reflectors that provide a wide-spread batwing to evenly illuminate the ceiling (T8 upper optics are painted high reflective white).

Standard distribution is 70% up / 30% down. Optional field-installable variable optics kits provide additional downlight as required.

Endcaps

Die-cast endcaps.

Joints

Self-aligning joining system with hands-free pre-joining wire access.

Mounting

Aircraft cable gripper is tamper-resistant and provides infinite vertical adjustment capability. Aircraft cable, crimp and cable gripper independently tested to meet stringent safety requirements.

Electrical

Factory pre-wired to section ends with quick-wire connectors.

Ballast

Electronic. Supplied with pre-installed ballast disconnects as per changes to the National Electrical Code.

Approvals

Certified to UL and CSA standards.

Finish

High-quality powder coat. Available in Ledalite Standard White (textured matte finish), and a selection of other factory and customer-specified colors. Consult factory for details.