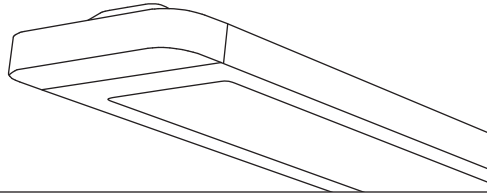


Float™



Suspended
Direct/Indirect
2 T5



Project Name

Spec Type

Notes



Order Guide

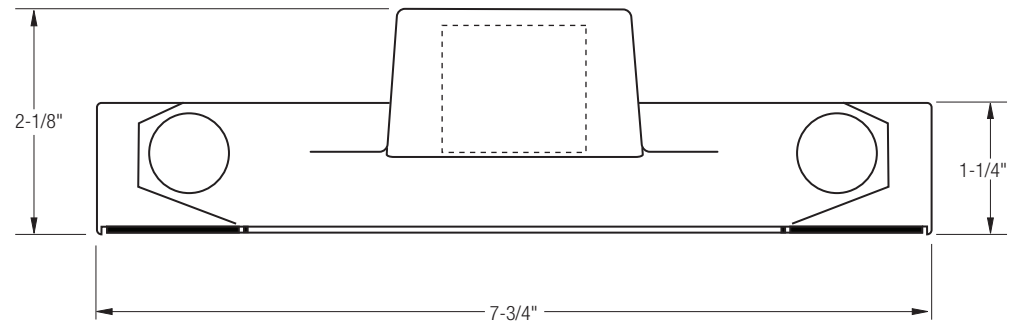
Some combinations of product options may not be available. Consult factory for assistance with your specification.

4806	F02			-		-		-		
Product Series & Type Float Direct/Indirect	Lamping 2 T5	Lower Optics B Black MesoOptics® Lens W White MesoOptics® Lens	Upper Optics N None (70 Up/30 Down) G 80% Down Kit J 100% Down Kit	Run Length <i>Enter the total run length in feet (4ft increments)</i>	Wiring 1 1 cct 2 2 cct* 3 1 cct w/ Emergency cct 4 2 cct w/ Emergency cct 5 1 cct w/ Battery Pack 6 2 cct w/ Battery Pack 7 1 cct Dimming * See Switching Options - Page 2	Voltage 1 120V 2 277V 3 347V	Ballast E Standard Ballast Consult website for ballast manufacturer information	Color & Finish T Titanium Silver B Black W White C Factory Color X Custom Color		
			See details on reverse	See details on reverse	Consult website for complete list of standard wiring options					
Mounting Hardware										
					<input type="text"/>		<input type="text"/>			
						Mount Type Consult separate mounting spec sheet for mount type options	Suspension Length Enter distance from ceiling to top of fixture in inches			

Upgrades & Accessories

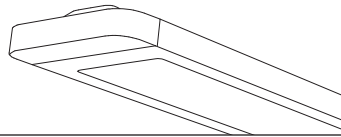
Please indicate with check mark.

- Lamps Included
- Response Daylight Integrated Sensors
For details visit www.ledalite.com/response



Float™

Suspended
Direct/Indirect
2 T5



Photometry Optics WG MesoOptics® Lens w/ 80% Down Kit

Report Summary

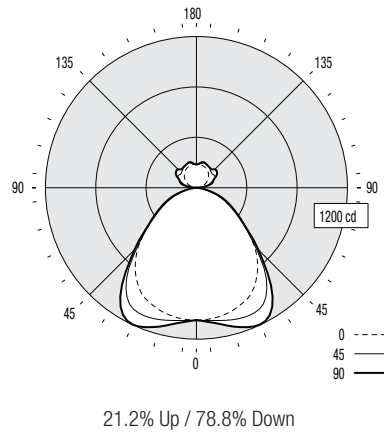
Report # 9901333
Filename 4806F02WG.ies
Efficiency 63.2%

Peak Candela Value* 211 @ 133°
Peak to Zenith Ratio* 1.1 : 1
* Between 90-180° vertical angle

Meets RP-1-04 recommendations for VDT-Normal spaces

Candela Distribution

Vertical Angle	Horizontal Angle					Zonal Lumens
	0	22.5	45	67.5	90	
0	1051	1051	1051	1051	1051	
5	1048	1051	1058	1064	1069	104
15	1023	1043	1085	1123	1141	308
25	968	1011	1094	1173	1198	502
35	842	908	976	1069	1056	603
45	650	684	664	722	696	529
55	422	440	410	449	429	389
65	249	259	250	280	270	260
75	106	118	114	127	122	128
85	13	17	14	21	15	22
90	0	0	0	0	0	
95	15	28	39	19	28	33
105	48	76	106	124	125	101
115	80	99	156	150	150	130
125	110	123	174	202	200	146
135	136	152	168	203	206	135
145	159	177	184	189	191	114
155	175	189	203	200	199	91
165	183	189	203	212	211	57
175	186	187	188	190	190	18
180	184	184	184	184	184	



Coefficients of Utilization (%)

Ceiling: Wall:	80				70				50				0				
	70	50	30	10	70	50	30	10	50	30	10	0	70	50	30	10	0
0 RCR	71	71	71	71	68	68	68	62	62	62	49						
1	66	63	61	59	63	60	58	55	54	52	42						
2	60	56	52	49	57	53	50	49	46	44	36						
3	55	49	45	41	53	47	43	43	40	37	31						
4	51	44	39	35	48	42	37	39	35	32	27						
5	47	39	34	30	44	38	33	35	31	28	23						
6	43	35	30	26	41	34	29	32	27	24	20						
7	40	32	27	23	38	31	26	29	25	22	18						
8	37	29	24	21	35	28	23	26	22	19	16						
9	35	27	22	19	33	26	21	24	20	17	15						
10	32	25	20	17	31	24	19	22	18	16	13						

Based on a floor reflectance of 0.2

Avg. Luminance (cd/m²)

Vertical Angle	Horizontal Angle		
	0	45	90
55	4704	4570	4782
65	3767	3782	4085
75	2618	2816	3014
85	954	1027	1100

IES files for this and other photometric options can be downloaded online at www.ledalite.com

Additional Information

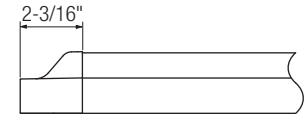
Modules

Module length excludes endcaps.
Nominal mount spacing for individually mounted modules.

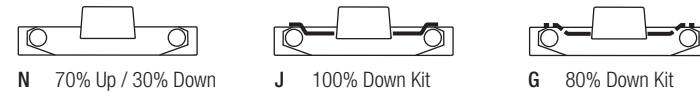
Module	Mount Spacing*
4ft	4' 0"
8ft	8' 0"

* Refer to installation instructions for exact mount spacing

Endcap



Upper Optics



Switching Options

2 cct left/right (L/R) switching (Standard)

Cross-section view of distribution: Asymmetric distribution. Lenses are not evenly illuminated and ceiling distribution is uneven.

Bottom view of 8ft module:

* consult factory for ordering information

2 cct A/B switching (module to module)*

Cross-section view of distribution: Symmetric distribution. Every other lens is illuminated.

Bottom view of 8ft module:

* consult factory for ordering information

1 cct step dimming*

Cross-section view of distribution: Symmetric distribution. Lenses are uniform and evenly illuminated.

Bottom view of 8ft module:

* consult factory for ordering information

Specifications

Due to continuing product improvements, Ledalite reserves the right to change specifications without notice.

Housing

Aluminum extrusion and die-cast cross-plates.

Weight

3.5 lb/ft.

Optical System

High efficiency optical system providing an optimized direct/indirect distribution. When viewed from below, the entire visible lower surface consists of a high gloss silk-screened polycarbonate panel with translucent optical window supporting a layer of MesoOptics® film to provide a highly controlled low-glare batwing distribution in the lower hemisphere with no direct view of the lamp from below.

T5/T5HO upper optics include high performance Miro IV® specular reflectors that provide a wide-spread batwing distribution to evenly illuminate the ceiling. Standard distribution is 70% up / 30% down. Optional field-installable variable optics kits provide additional downlight as required.

Endcaps

Die-cast aluminum endcaps. Entire visible lower surface consists of a high gloss silk-screened polycarbonate panel.

Joints

Self-aligning joining system with hands-free pre-joining wire access.

Mounting

1/16" diameter aircraft cable. Self-locking, tamper-resistant, miniature cable gripper provides infinite vertical cable adjustment. Aircraft cable, crimp and cable gripper independently tested to meet stringent safety requirements.

Electrical

Field installed standard power cable drop is silver encased 600V rated 18AWG wrapped with UV stabilized clear PVC external jacket. Factory pre-wired to section ends with quick-wire connectors.

Ballast

Electronic. Supplied with factory pre-installed ballast disconnects as per electrical codes.

Approvals

Certified to UL and CSA standards.

Finish

Extruded aluminum luminaire body and die-cast endcaps coated with electrostatically applied and thermally cured polyester powder coat paint finish. Standard finish is textured matte Titanium Silver, Black or White. Other custom colors are available; consult factory for details. Entire visible lower optical surface, including endcaps, consists of a high gloss silk-screened polycarbonate panel (available in black or white).