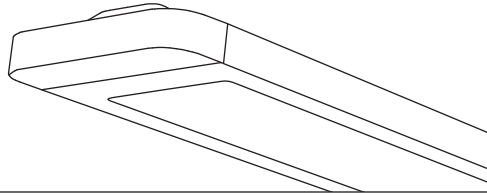


Float™



Suspended
Direct/Indirect
2 T5



Project Name

Spec Type

Notes

Order Guide

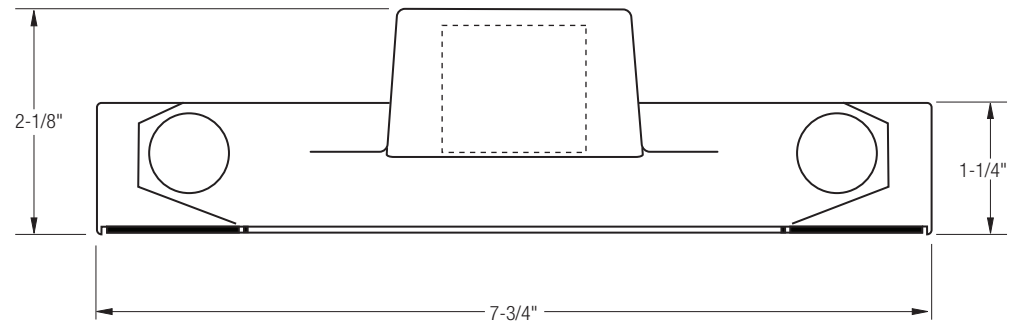
Some combinations of product options may not be available. Consult factory for assistance with your specification.

4806	F02			-		-		-		
Product Series & Type Float Direct/Indirect	Lamping 2 T5	Lower Optics B Black MesoOptics® Lens W White MesoOptics® Lens	Upper Optics N None (70 Up/30 Down) G 80% Down Kit J 100% Down Kit	Run Length <i>Enter the total run length in feet (4ft increments)</i>	Wiring 1 1 cct 2 2 cct* 3 1 cct w/ Emergency cct 4 2 cct w/ Emergency cct 5 1 cct w/ Battery Pack 6 2 cct w/ Battery Pack 7 1 cct Dimming * See Switching Options - Page 2	Voltage 1 120V 2 277V 3 347V	Ballast E Standard Ballast Consult website for ballast manufacturer information	Color & Finish T Titanium Silver B Black W White C Factory Color X Custom Color		
			See details on reverse	See details on reverse	Consult website for complete list of standard wiring options					
Mounting Hardware										
					Mount Type Consult separate mounting spec sheet for mount type options		Suspension Length Enter distance from ceiling to top of fixture in inches			

Upgrades & Accessories

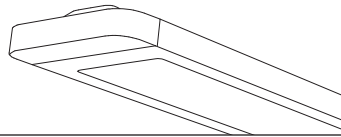
Please indicate with check mark.

- Lamps Included
- Response Daylight Integrated Sensors
For details visit www.ledalite.com/response



Float™

Suspended
Direct/Indirect
T5



Photometry Optics BJ MesoOptics® Lens w/ 100% Down Kit

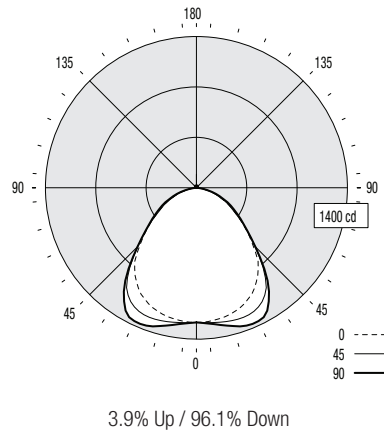
Report Summary

Report # 9901330
Filename 4806F02BJ.ies
Efficiency 57.6%

Peak Candela Value* N/A
Peak to Zenith Ratio* N/A
* Between 90-180° vertical angle

Candela Distribution

Vertical Angle	Horizontal Angle					Zonal Lumens
	0	22.5	45	67.5	90	
0	1247	1247	1247	1247	1247	
5	1244	1247	1254	1258	1262	122
15	1212	1233	1274	1308	1326	360
25	1135	1186	1263	1340	1362	579
35	992	1051	1130	1200	1174	689
45	735	787	770	812	773	605
55	479	497	475	507	498	444
65	288	298	290	313	318	298
75	127	140	133	149	149	148
85	15	20	15	22	16	26
90	0	0	0	0	0	
95	6	5	6	6	7	6
105	7	8	9	9	10	9
115	8	11	12	12	13	12
125	7	13	15	15	16	12
135	7	13	18	19	20	12
145	7	13	18	21	23	11
155	8	13	17	21	22	8
165	8	10	14	18	18	4
175	8	8	8	10	10	1
180	8	8	8	8	8	



Coefficients of Utilization (%)

Ceiling: Wall:	80				70				50				0			
	70	50	30	10	70	50	30	10	50	30	10	0	70	50	30	10
0 RCR	68	68	68	68	66	66	66	63	63	63	63	56	63	63	63	63
1	63	60	58	56	61	59	57	56	55	55	53	48	55	55	55	53
2	58	53	50	47	56	52	49	50	47	45	41	41	45	45	45	41
3	53	47	43	40	51	46	42	44	41	38	35	35	38	38	38	35
4	49	42	37	34	47	41	37	40	36	33	31	31	36	36	36	31
5	45	38	33	29	44	37	33	36	32	29	27	27	32	32	32	27
6	41	34	29	26	40	34	29	33	28	25	24	24	28	28	28	24
7	39	31	26	23	37	31	26	30	26	23	21	21	26	26	26	21
8	36	28	24	21	35	28	24	27	23	20	19	19	23	23	23	19
9	34	26	22	18	33	26	21	25	21	18	17	17	21	21	21	17
10	31	24	20	17	31	24	20	23	19	17	15	15	19	19	19	15

Based on a floor reflectance of 0.2

Avg. Luminance (cd/m²)

Vertical Angle	Horizontal Angle		
	0	45	90
55	5339	5295	5551
65	4357	4387	4811
75	3137	3285	3681
85	1100	1100	1174

IES files for this and other photometric options can be downloaded online at www.ledalite.com

Additional Information

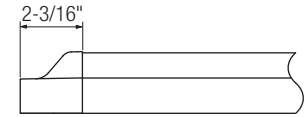
Modules

Module length excludes endcaps.
Nominal mount spacing for individually mounted modules.

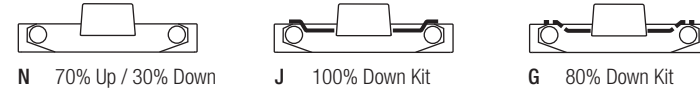
Module	Mount Spacing*
4ft	4' 0"
8ft	8' 0"

* Refer to installation instructions for exact mount spacing

Endcap



Upper Optics



Switching Options

2 cct left/right (L/R) switching (Standard)

Cross-section view of distribution: Asymmetric distribution. Lenses are not evenly illuminated and ceiling distribution is uneven.

Bottom view of 8ft module:

* consult factory for ordering information

2 cct A/B switching (module to module)*

Cross-section view of distribution: Symmetric distribution. Every other lens is illuminated.

Bottom view of 8ft module:

* consult factory for ordering information

1 cct step dimming*

Cross-section view of distribution: Symmetric distribution. Lenses are uniform and evenly illuminated.

Bottom view of 8ft module:

* consult factory for ordering information

Specifications

Due to continuing product improvements, Ledalite reserves the right to change specifications without notice.

Housing

Aluminum extrusion and die-cast cross-plates.

Weight

3.5 lb/ft.

Optical System

High efficiency optical system providing an optimized direct/indirect distribution. When viewed from below, the entire visible lower surface consists of a high gloss silk-screened polycarbonate panel with translucent optical window supporting a layer of MesoOptics® film to provide a highly controlled low-glare batwing distribution in the lower hemisphere with no direct view of the lamp from below.

T5/T5HO upper optics include high performance Miro IV® specular reflectors that provide a wide-spread batwing distribution to evenly illuminate the ceiling. Standard distribution is 70% up / 30% down. Optional field-installable variable optics kits provide additional downlight as required.

Endcaps

Die-cast aluminum endcaps. Entire visible lower surface consists of a high gloss silk-screened polycarbonate panel.

Joints

Self-aligning joining system with hands-free pre-joining wire access.

Mounting

1/16" diameter aircraft cable. Self-locking, tamper-resistant, miniature cable gripper provides infinite vertical cable adjustment. Aircraft cable, crimp and cable gripper independently tested to meet stringent safety requirements.

Electrical

Field installed standard power cable drop is silver encased 600V rated 18AWG wrapped with UV stabilized clear PVC external jacket. Factory pre-wired to section ends with quick-wire connectors.

Ballast

Electronic. Supplied with factory pre-installed ballast disconnects as per electrical codes.

Approvals

Certified to UL and CSA standards.

Finish

Extruded aluminum luminaire body and die-cast endcaps coated with electrostatically applied and thermally cured polyester powder coat paint finish. Standard finish is textured matte Titanium Silver, Black or White. Other custom colors are available; consult factory for details. Entire visible lower optical surface, including endcaps, consists of a high gloss silk-screened polycarbonate panel (available in black or white).